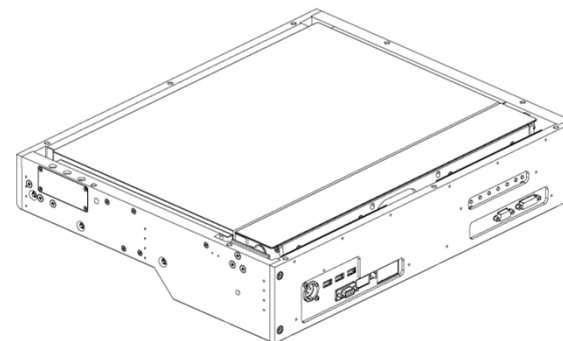




## INTRODUCTION

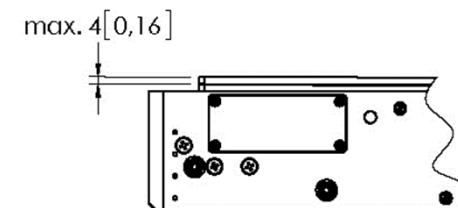
The Dynamic 3 monitor is available in a special version that is prepared to be mounted from below the table with a veneer finishing on the back of the monitor to match the table. The special version is supplied without aluminium cover frame and buttons.

Included in this version are all necessary brackets and a cable of 1,5m [4,9ft] with a GPI connector for a remote control.



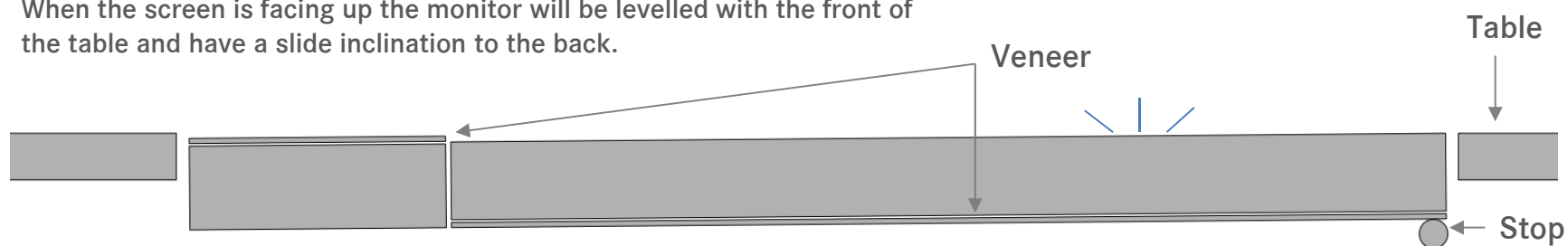
## VENEER

To veneer the back of the monitor the dimensions are specified in general dimensions. Different materials can be used to veneer the monitor, maximum thickness of the veneer 4mm [0,16"] and maximum weight 1Kg. (veneer thickness + glue < 4) .



## For models with ROTATION

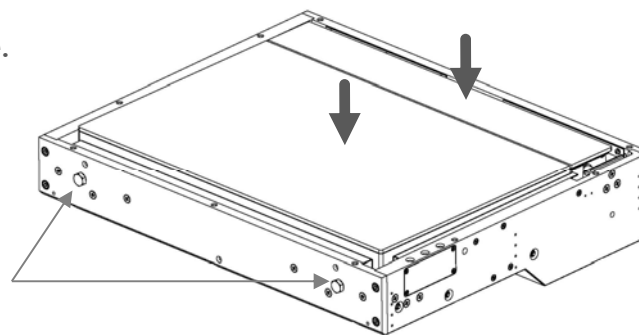
When the screen is facing up the monitor will be levelled with the front of the table and have a slight inclination to the back.



## GLUED

The veneer can be glue or taped to the monitor housing and protection plate.  
When veneering the monitor the pressure applied must not exceed 5Kg without the security screws correctly placed. With security screws the applied pressure must not exceed 12Kg.  
The pressure over the protection cover may not exceed 3Kg.

Plastic screws

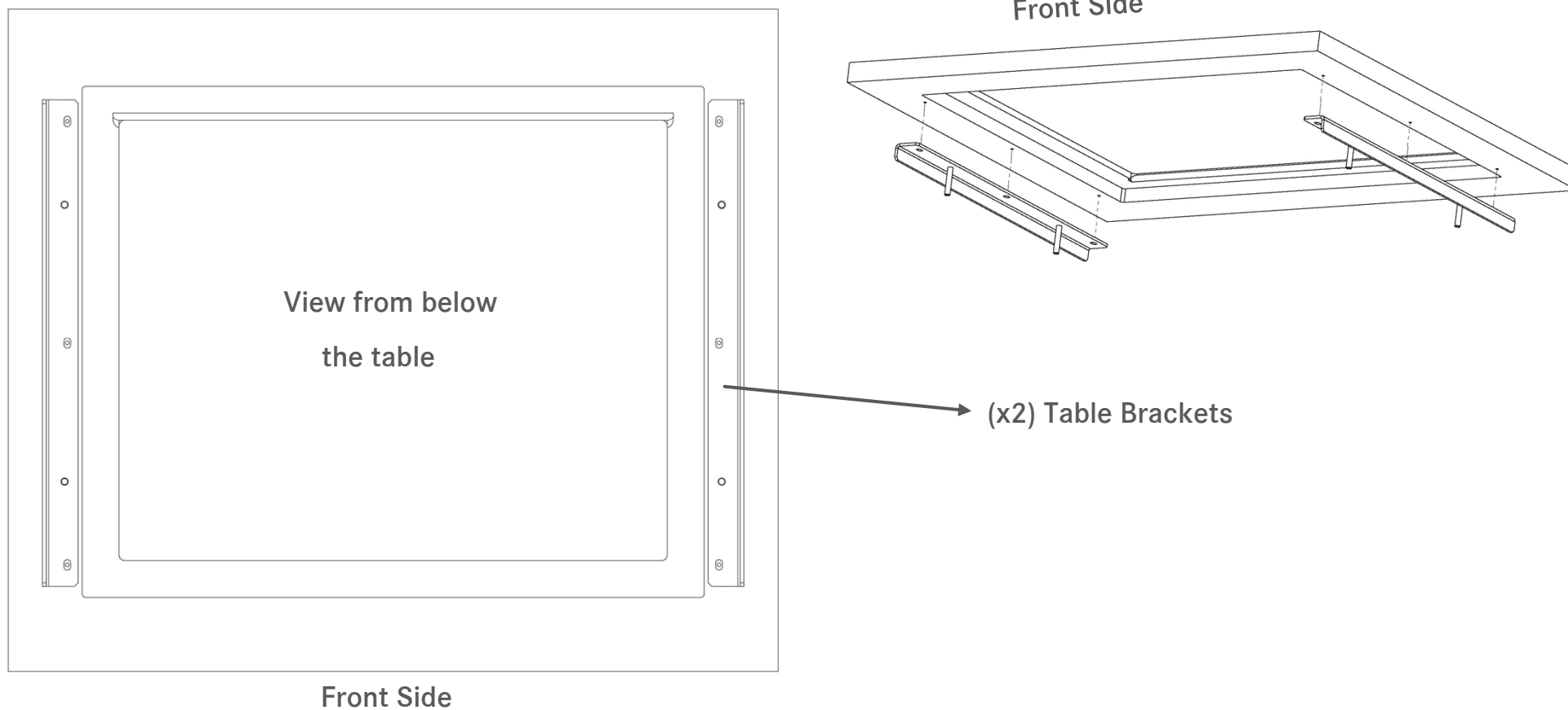


## PATTERN HOLE

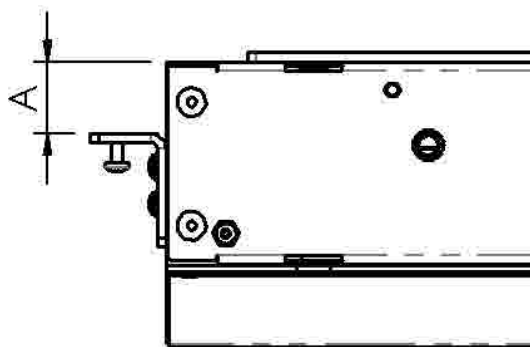
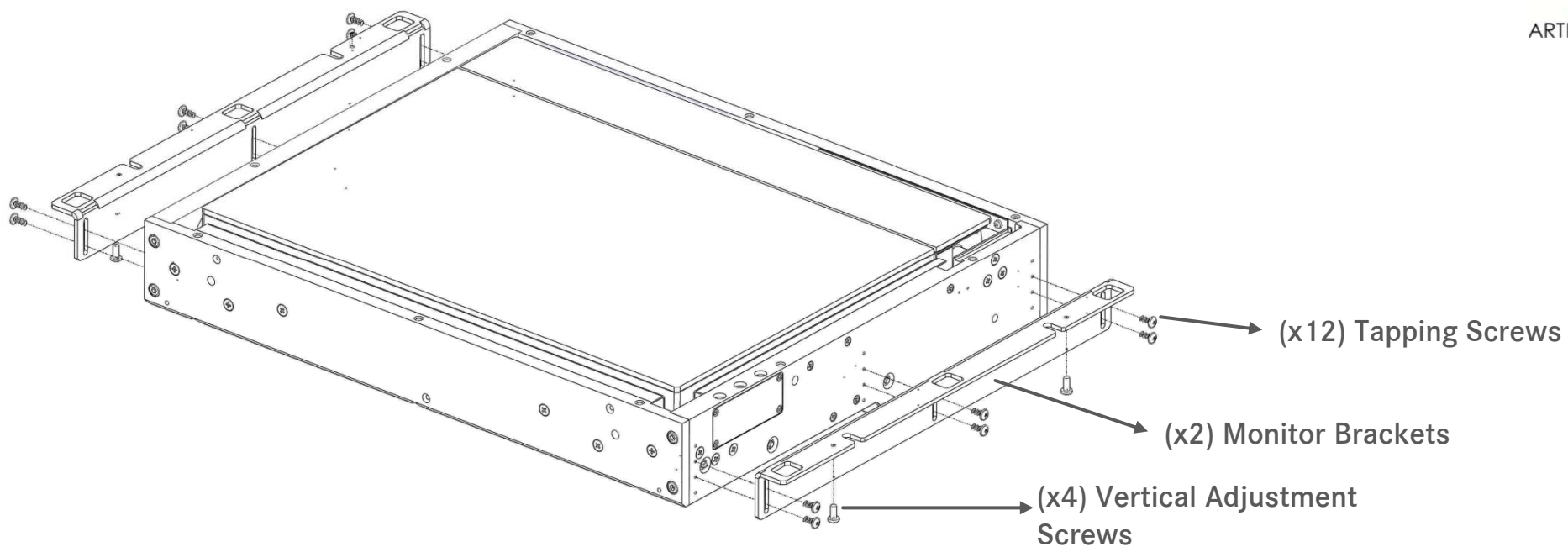
Pattern hole dimensions for milling are specified in the general dimensions for each reference.  
The milling of the furniture has to be done from bellow.

## ATTENTION

Manipulation of the product should be avoided, no stress should be applied to the product except from the instructions given in this document. Cutting, drilling, soldering, adding of electrical and mechanical components can cause danger and should be avoided by all mean. Not complying with these direction will result in a lost of the Arthur Holm warranty. Albiral Display Solution S.L. shall not be held liable for any loss or injury incurred as a result of modifications made to goods by anyone other than the supplier or the supplier's authorised representative without the supplier's written permission. Such modifications shall be deemed to terminate any further guarantee obligations. Compensation will not be paid for wages, loss of profit, waste of time, packing and transport or any financial liability resulting from defects in the goods. (Albiral Display Solutions shall not be liable for any loss or injury caused by negligence.)



Mount the table brackets below the table using the holes indicated on pattern hole drawing.  
The screws (x6) depend of the table material; the weight of the monitor is up 17Kg.



Mount the monitor brackets on each side of the monitor using tapping screws provided.

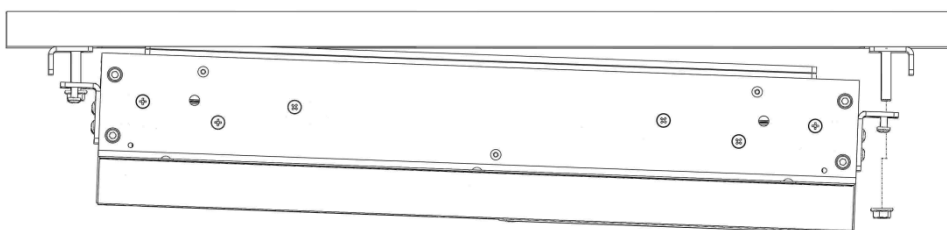
Distance "A" should be 5mm [0,197"] more than the table thickness, minimum 20mm [0,787"] and maximum 45mm [1,77"]

Mount the vertical adjustment screws on to the monitor bracket so the screw is flushed with the upper side of the monitor bracket.

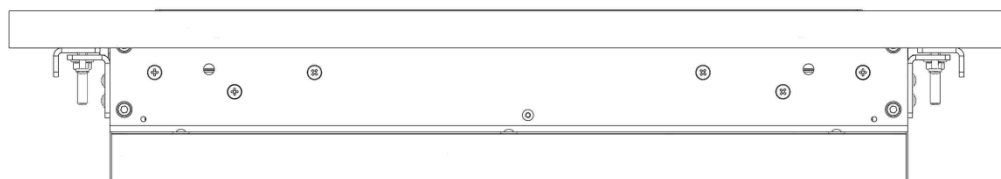
Front Side



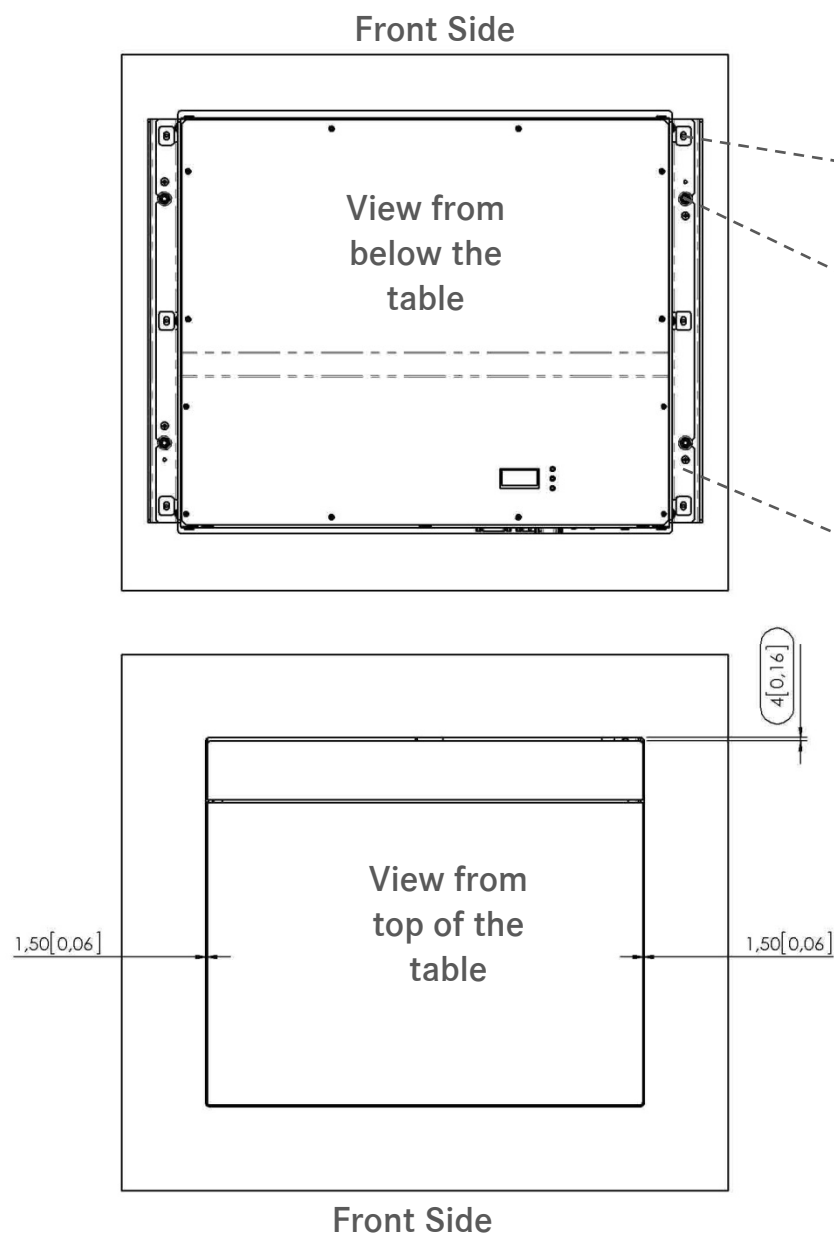
Mount two nuts on to one of the table brackets as indicated on the drawing.



Insert the monitor and mount the remaining two nuts to the upper side monitor bracket.



Tighten each nut gradually until the monitor surface is levelled with the table surface.

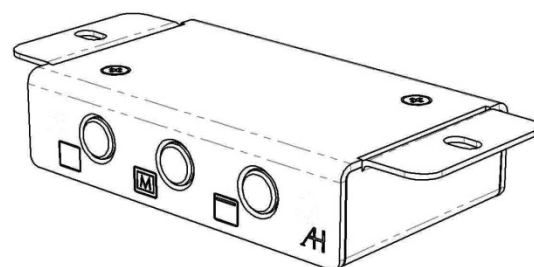


For moving the monitor closer or further away from the table edge loosen the table screws half a turn and centre the monitor. When the monitor is centred tighten the six screws. ⇅

For moving the monitor to the left or right loosen the four nuts half a turn and move the monitor. When the monitor is centred tighten the four nuts. ↔

To secure the monitor tighten the four vertical adjustment screws.

Dimension between rear edge of little veneer and table must not less than 4mm[0,16"]. Otherwise veneer will come in contact with the table and be damaged



A remote control with 1,5m[4,9ft] cable length is included to operate the Dynamic3





ARTHUR HOLM

is a registered brand of  
ALBIRAL DISPLAY SOLUTIONS, SL  
Fátima 25 ,08512 St. Hipòlit de  
Votregà (Barcelona – Spain)  
tel. +(34) 938 502 376

[www.arthurholm.com](http://www.arthurholm.com)