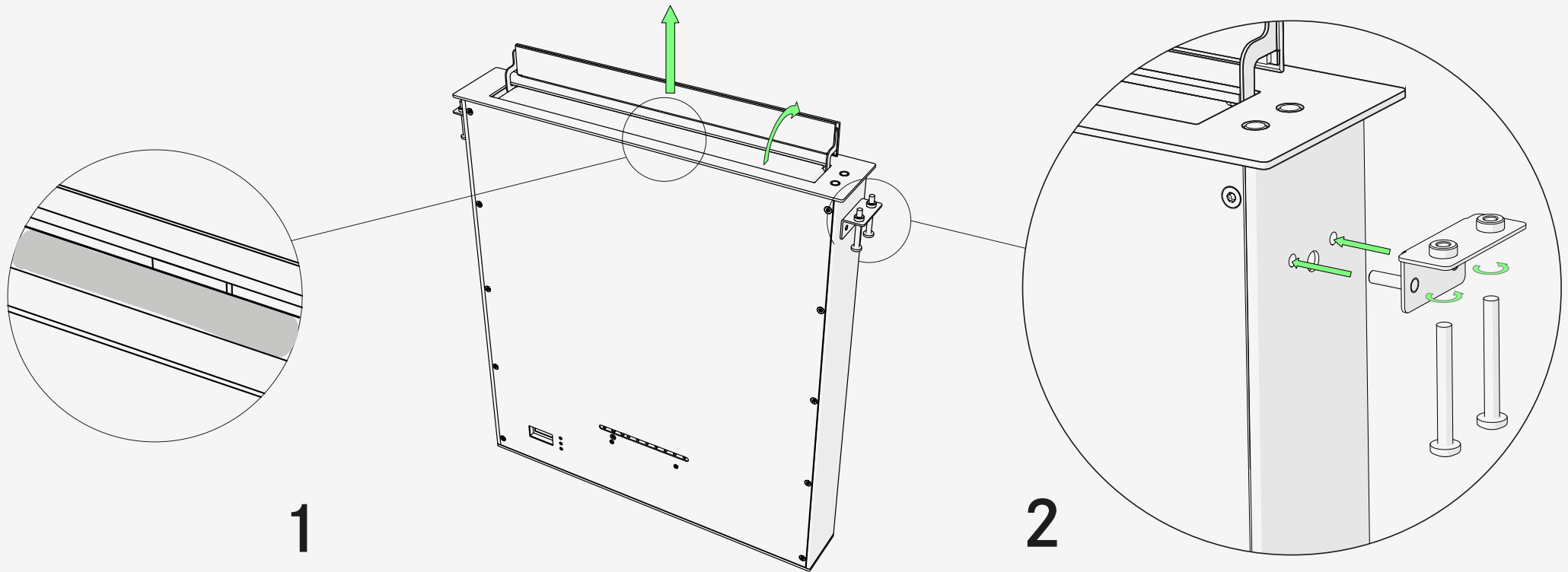


# Installation & Shipping instructions for retractable monitors

Thank you for purchasing our product. We hope for your full satisfaction. Should you have any questions you can contact us by email [marketing@albiral.com](mailto:marketing@albiral.com) or by phone +34 938 502 376 office hours 9am - 2pm & 3pm - 6pm.



1

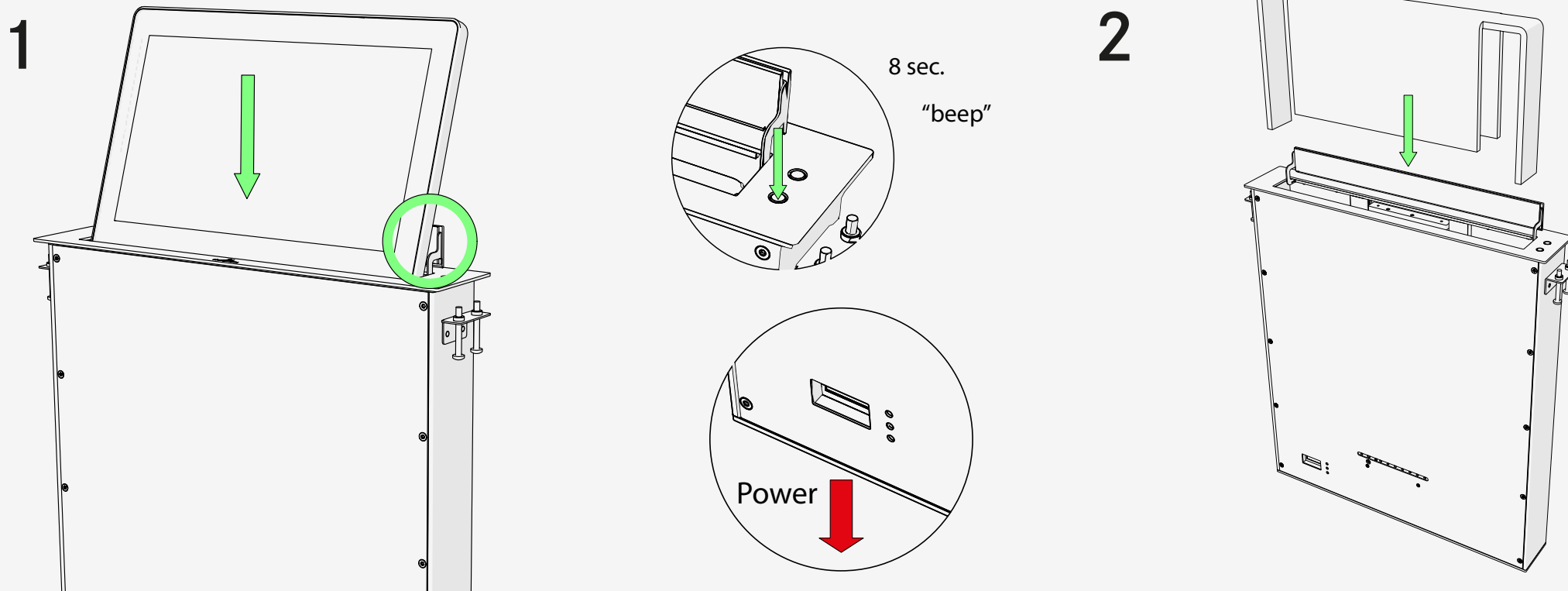
2

Before connecting the monitor and when it is placed in its position, remove the monitor protection foam piece. Then securely mount the monitor to the table by using the two included mounting brackets.

# Transport & Packaging instructions for retractable monitors

1.- Before disconnecting the monitor raise the monitor housing. Press and keep pushed 8 seconds down button until beep. Please hold the hatch before lowering the monitor housing to place foam piece. Disconnect power to stop beep. Now the buttons are not operational.

2.- Place the U shape foam piece as shown in the picture below. This will prevent the monitor housing to move during transport.



Always transport the monitor with the screen facing up and strapped onto a pallet.