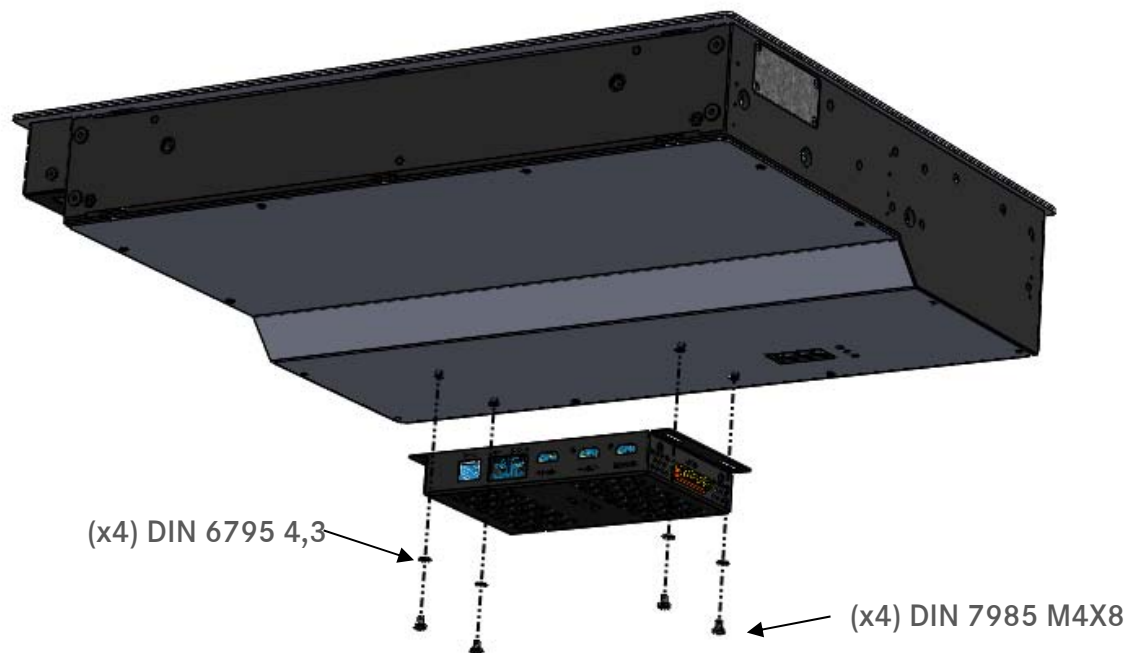


Dynamic Share/Loop is ready to be assembled under the Dynamic3, to join them use the screws supplied and fix it in the shown position.



Dynamic Share/Loop is supplied with the necessary cables to be mounted under the Dynamic3. If desired, the Dynamic Share/Loop can be mounted outside Dynamic3 where the supplied cables harness allow.