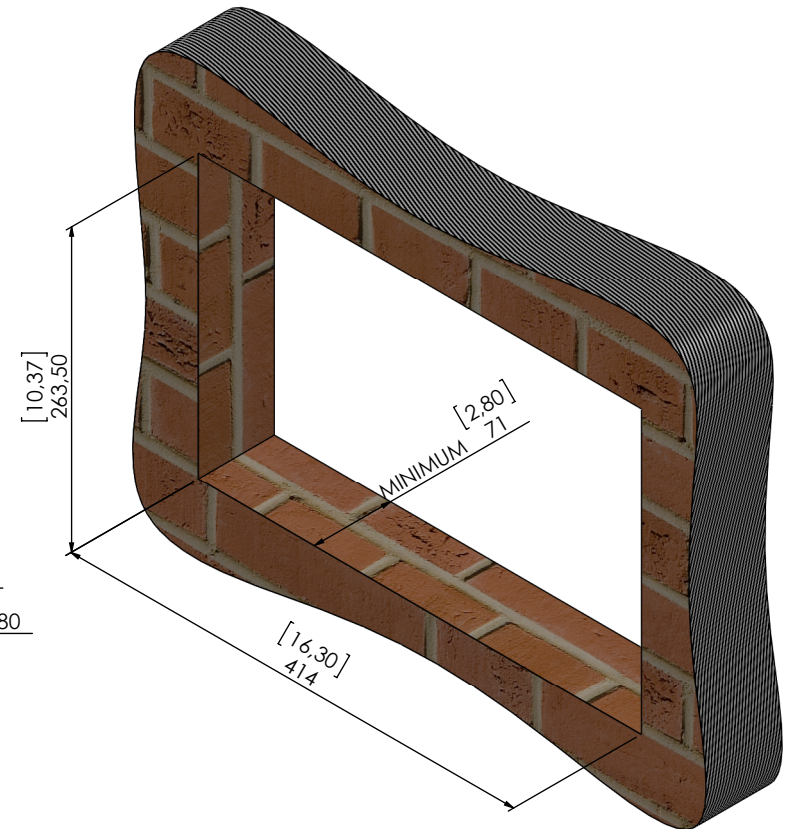
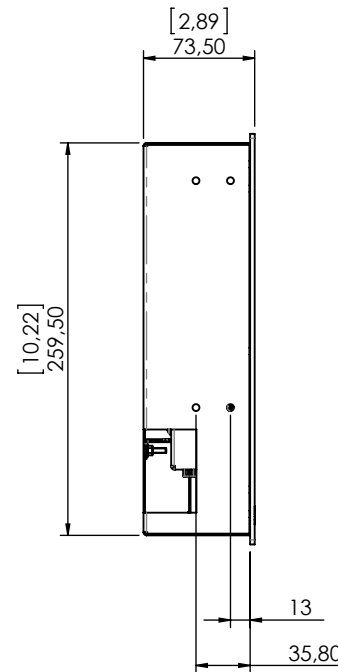
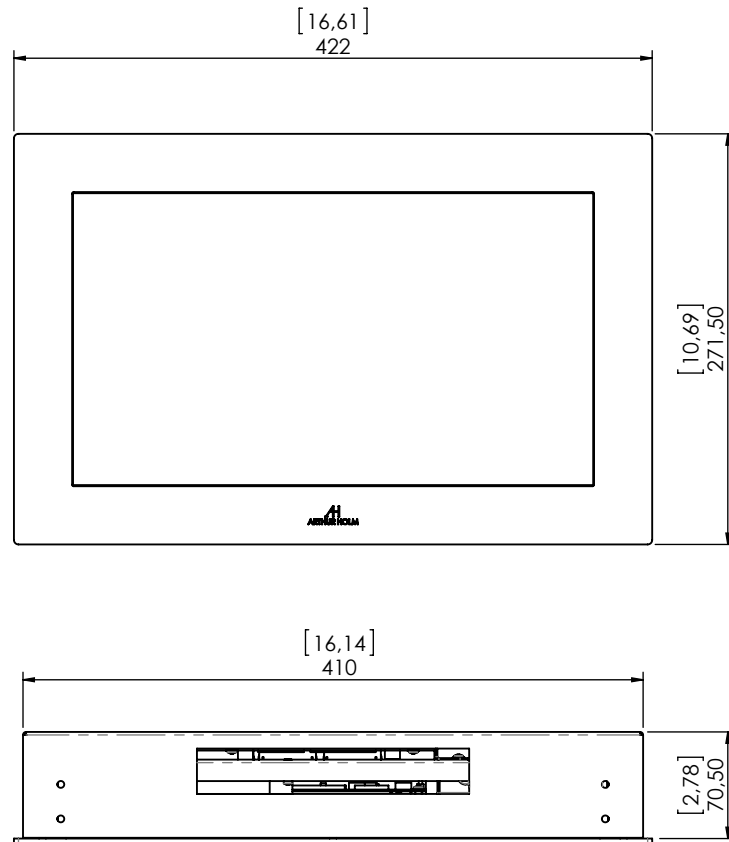



Professional 15.6" widescreen monitor finished in aluminium, inox or glass for wall integration

Ref. AH15 DI_DA_DG Wide



GENERAL DIMENSIONS

Scale 1:5
 Dimensions in millimeters [inches]
 Revision: 0
 Projection: 

ARTHUR HOLM

Albiral Display Solutions SL
 Fàtima 25, Sant Hipòlit de Voltregà. 08512 Barcelona (SPAIN)
 TEL: +34 93 850 23 76 / 23 83 FAX: +34 93 850 25 50
 WEB: www.arthurholm.com EMAIL: marketing@albiral.com