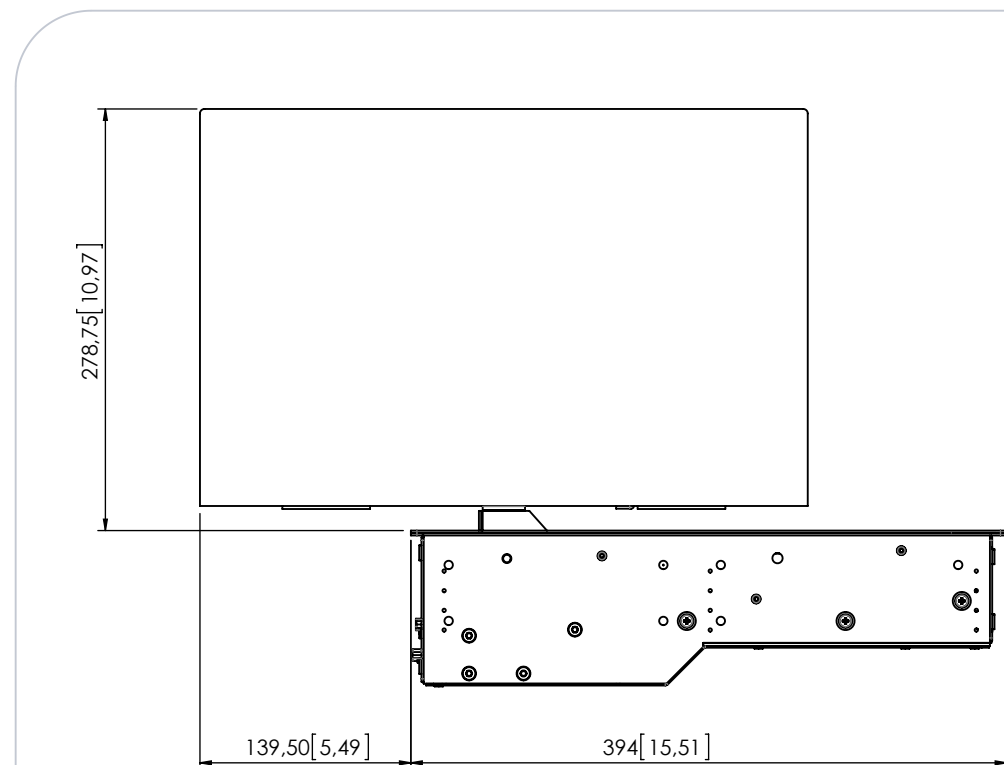
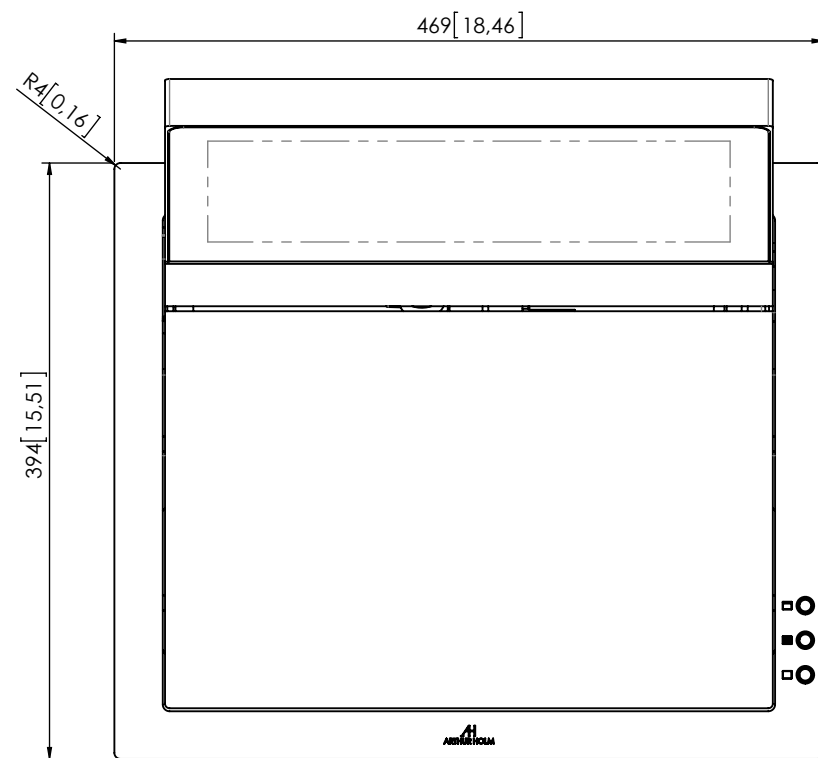
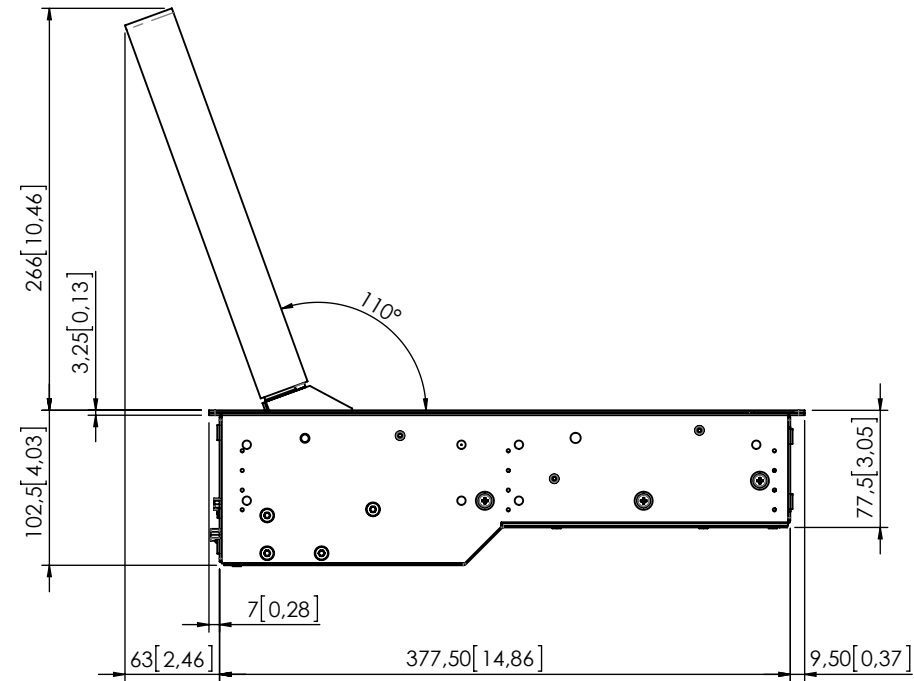
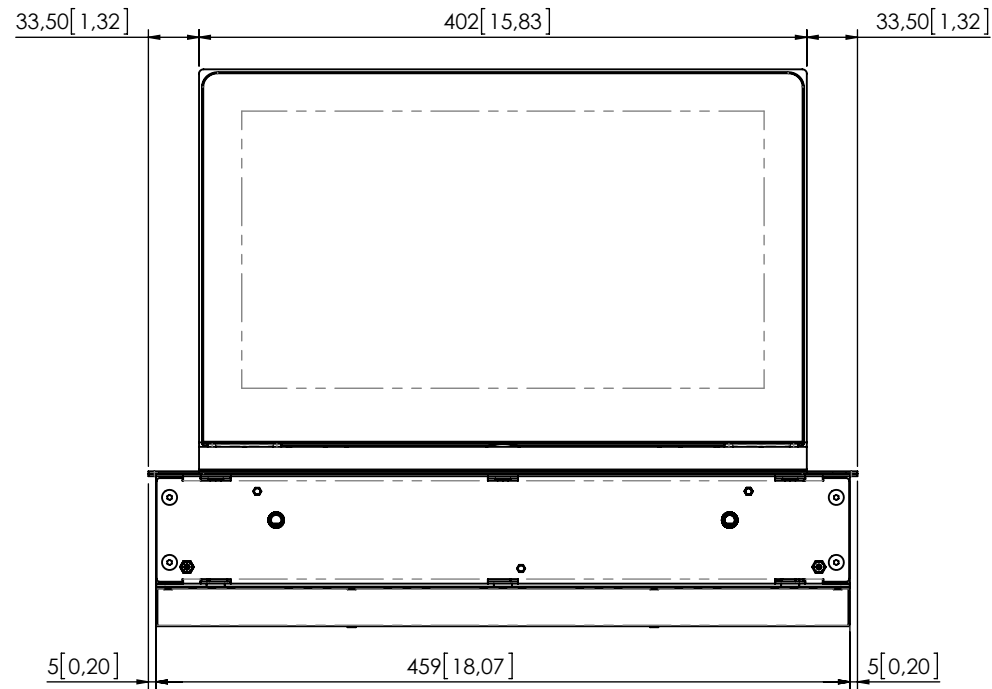


Professional 15" widescreen data monitor with horizontal and vertical working position, to be integrated into meeting and conference room tables

Ref. AH15D3 R16GA



GENERAL DIMENSIONS

Scale 1:2
Dimensions in millimeters [Inche]
Revision: 1
Projection:

ARTHUR HOLM

Albiral Display Solutions SL
Fàtima 25, Sant Hipòlit de Voltregà. 08512 Barcelona (SPAIN)
TEL: +34 93 850 23 76 / 23 83 FAX: +34 93 850 25 50
WEB: www.arthurholm.com EMAIL: marketing@albiral.com