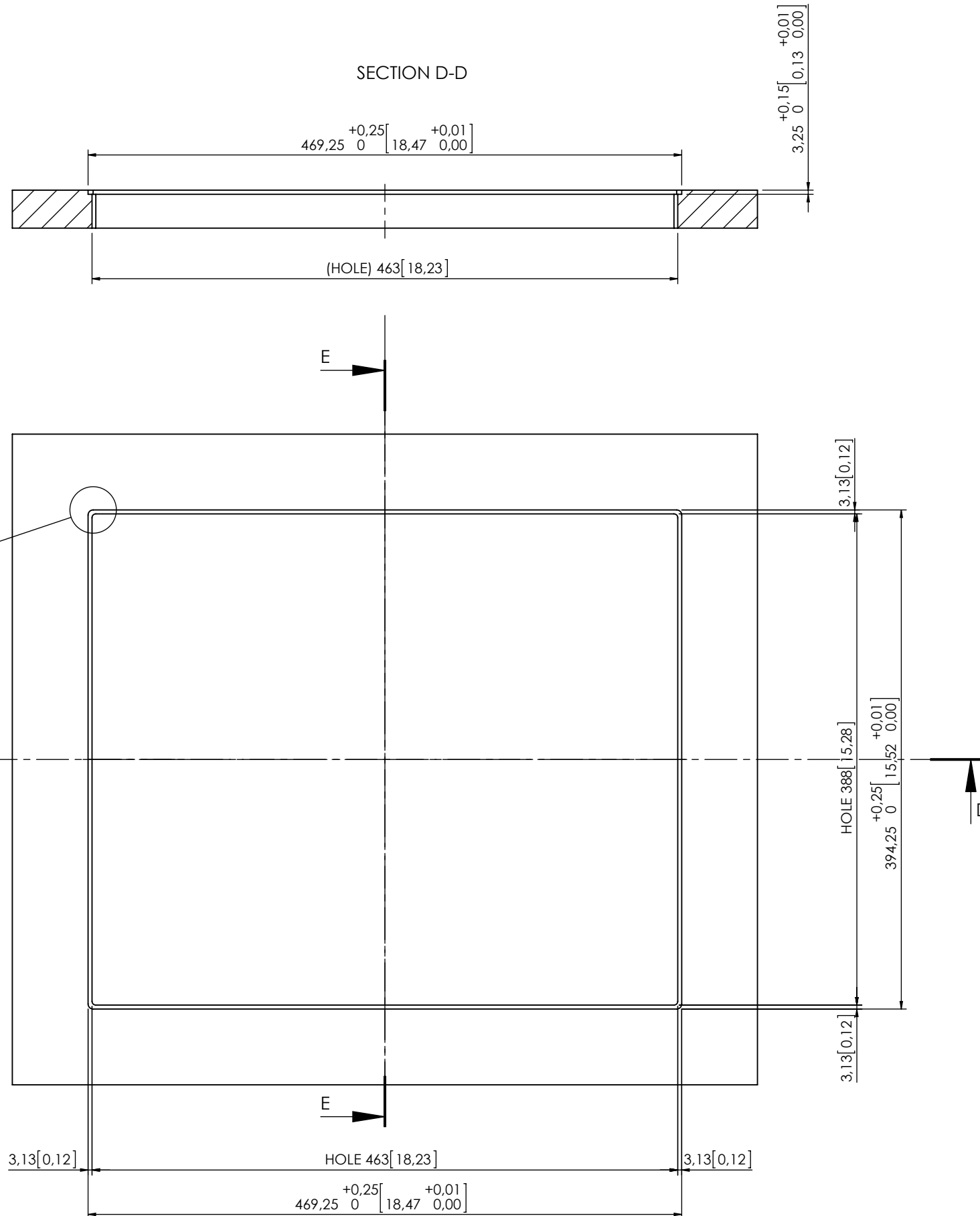


Professional 15" widescreen data monitor with horizontal and vertical working positions, to be integrated into meeting and conference room tables

Ref.AH15D3 R16GA / AH15D3 16GA



PATTERN HOLE

ARTHUR HOLM

Scale 1:4  
Dimensions in millimeters [inches]  
Revision: 1  
Projection:

Albiral Display Solutions SL  
Fàtima 25, Sant Hipòlit de Voltregà. 08512 Barcelona (SPAIN)  
TEL: +34 93 850 23 76 / 23 83 FAX: +34 93 850 25 50  
WEB: www.arthurholm.com EMAIL: marketing@albiral.com