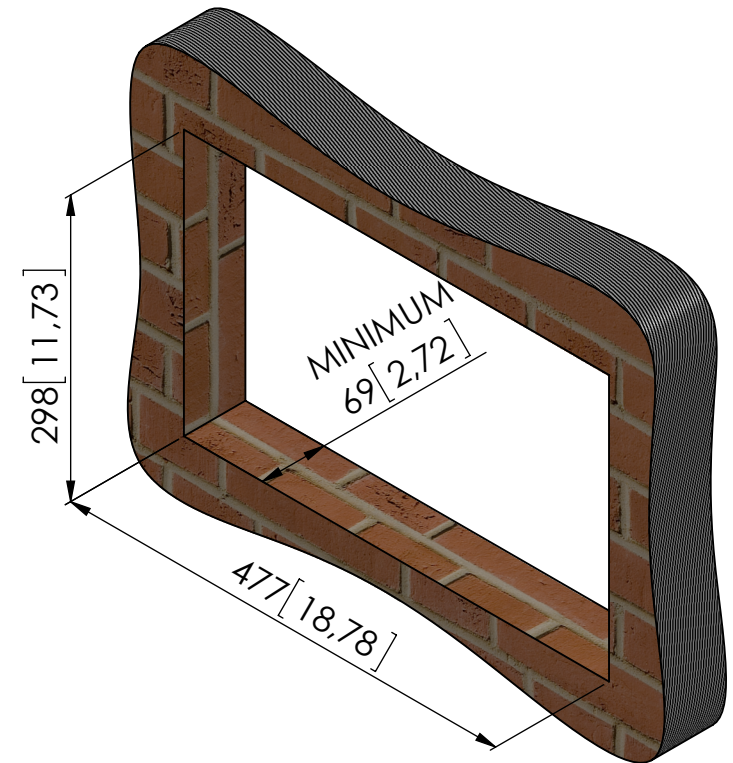
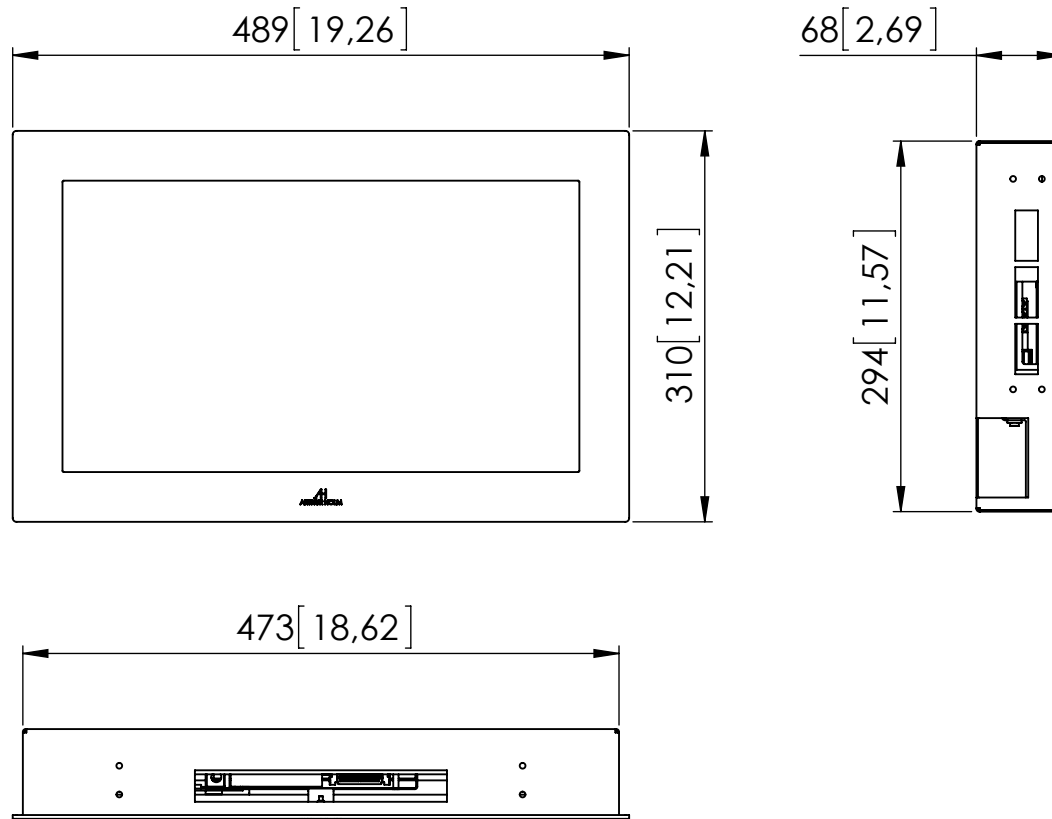
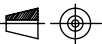


19" professional widescreen monitor finished in aluminium, inox or glass, for wall integration

Ref. AH19 DI Wide FHD v3  
AH19 DA Wide FHD v3  
AH19 DG Wide FHD v3



GENERAL DIMENSIONS

Scale 1:6  
Dimensions in millimeters [inches]  
Revision: 0  
Projection:   
Structure : 0735GD000

ARTHUR HOLM

Albiral Display Solutions SL  
Fàtima 25, Sant Hipòlit de Voltregà. 08512 Barcelona (SPAIN)  
TEL: +34 93 850 23 76 / 23 83 FAX: +34 93 850 25 50  
WEB: www.arthurholm.com EMAIL: marketing@albiral.com