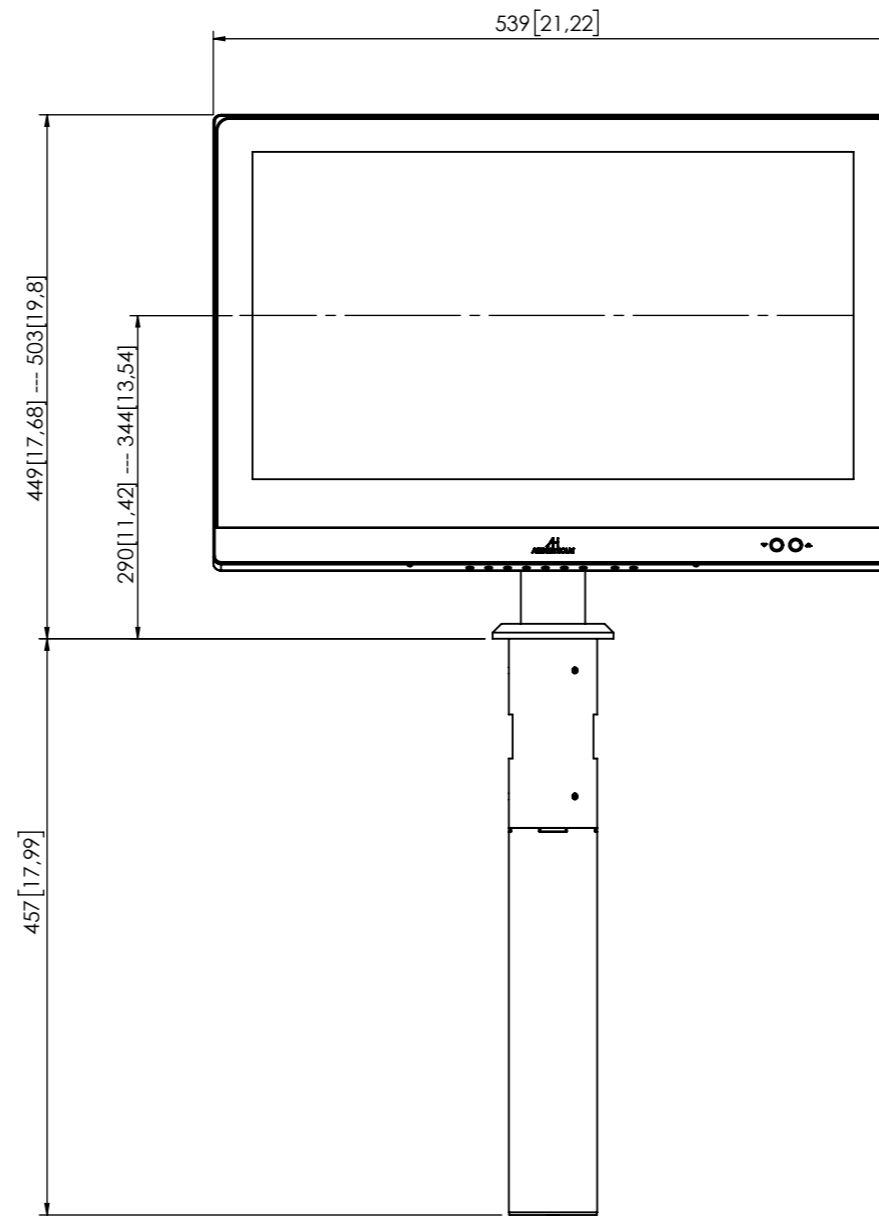
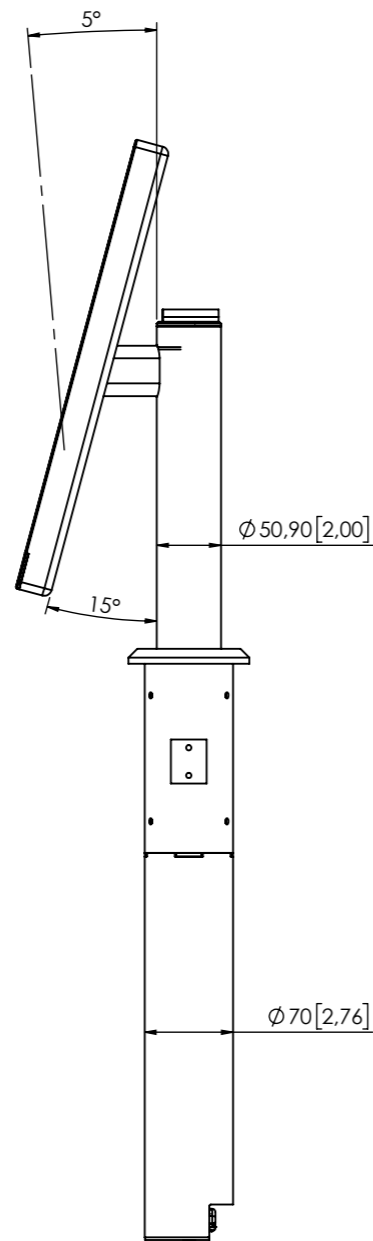
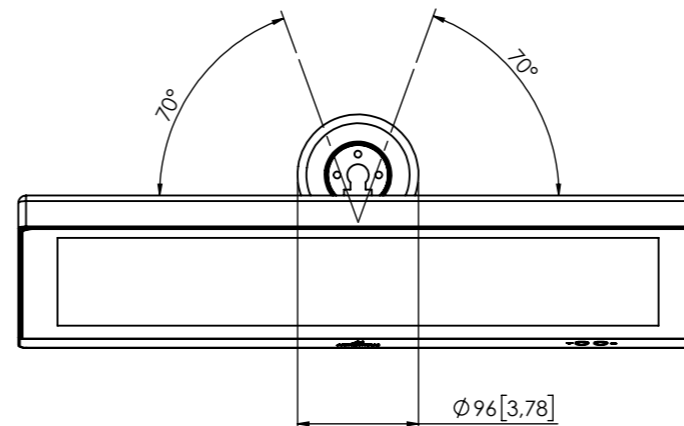
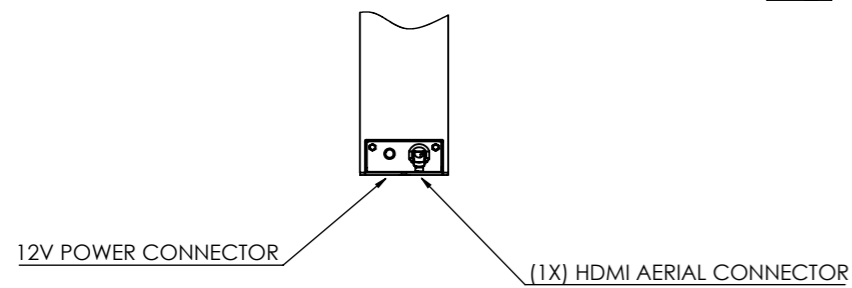
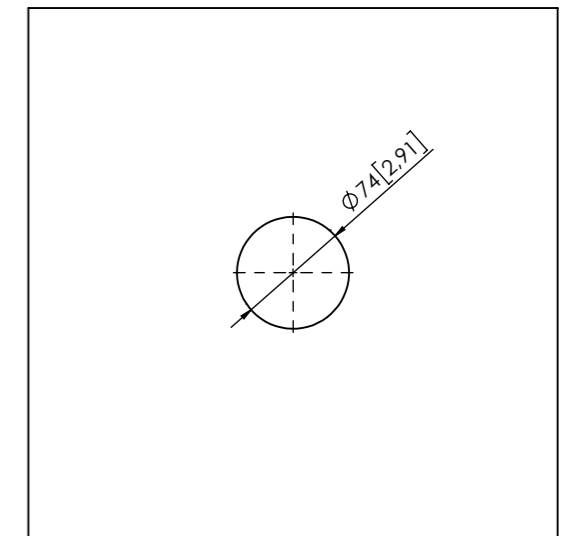


Professional 21.5" Full HD desk monitor,
with ajustable viewing angles and up-down regulation

Ref. **AH22DRM v1.0 CAB**



PATTERN HOLE



GENERAL DIMENSIONS

Scale 1:6
Dimensions in millimeters [inches]
Revision: 0
Projection:
Structure: 878GD001

ARTHUR HOLM

Albiral Display Solutions SL
Fàtima 25, Sant Hipòlit de Voltregà. 08512 Barcelona (SPAIN)
TEL: +34 93 850 23 76 / 23 83 FAX: +34 93 850 25 50
WEB: www.arthurholm.com EMAIL: marketing@albiral.com