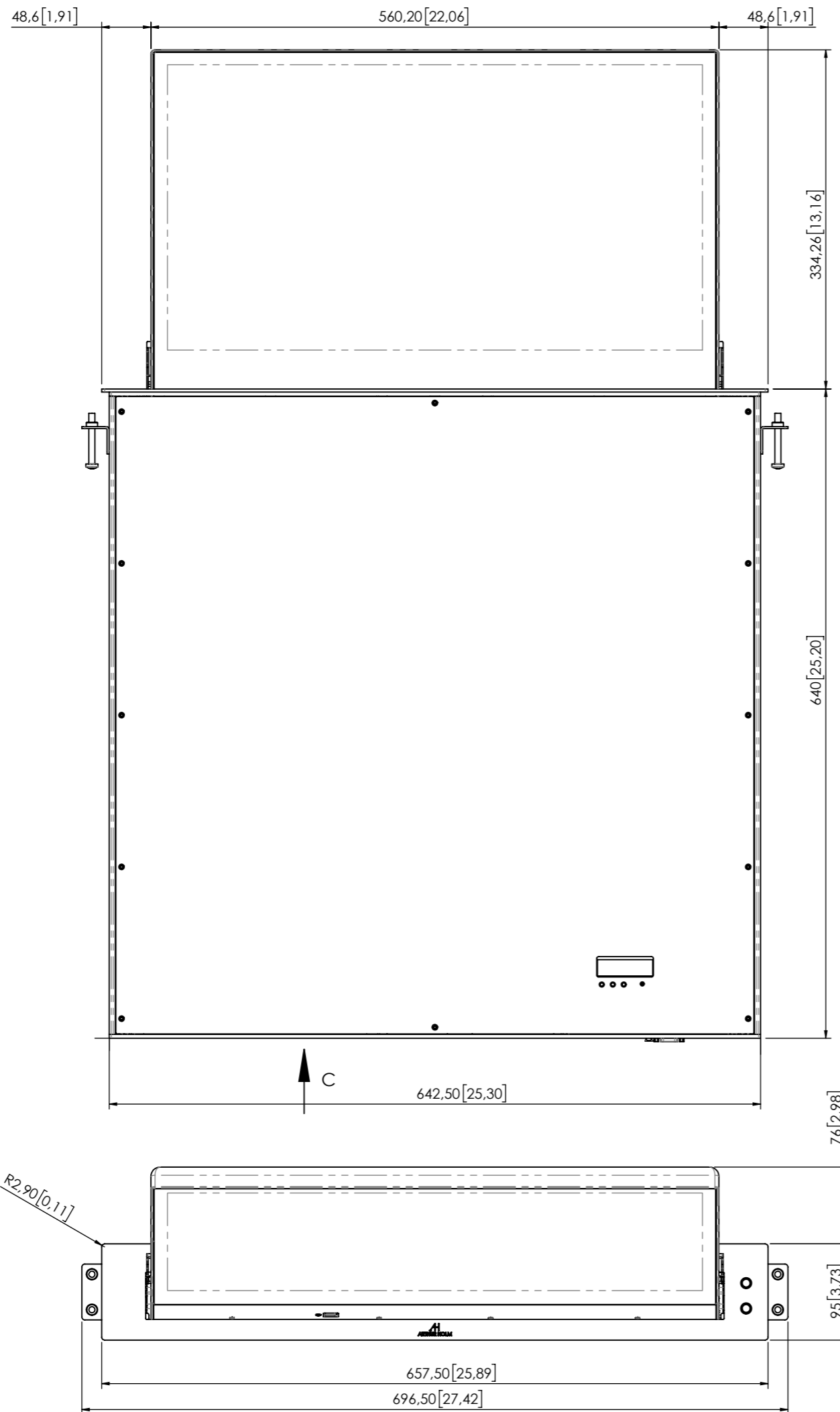
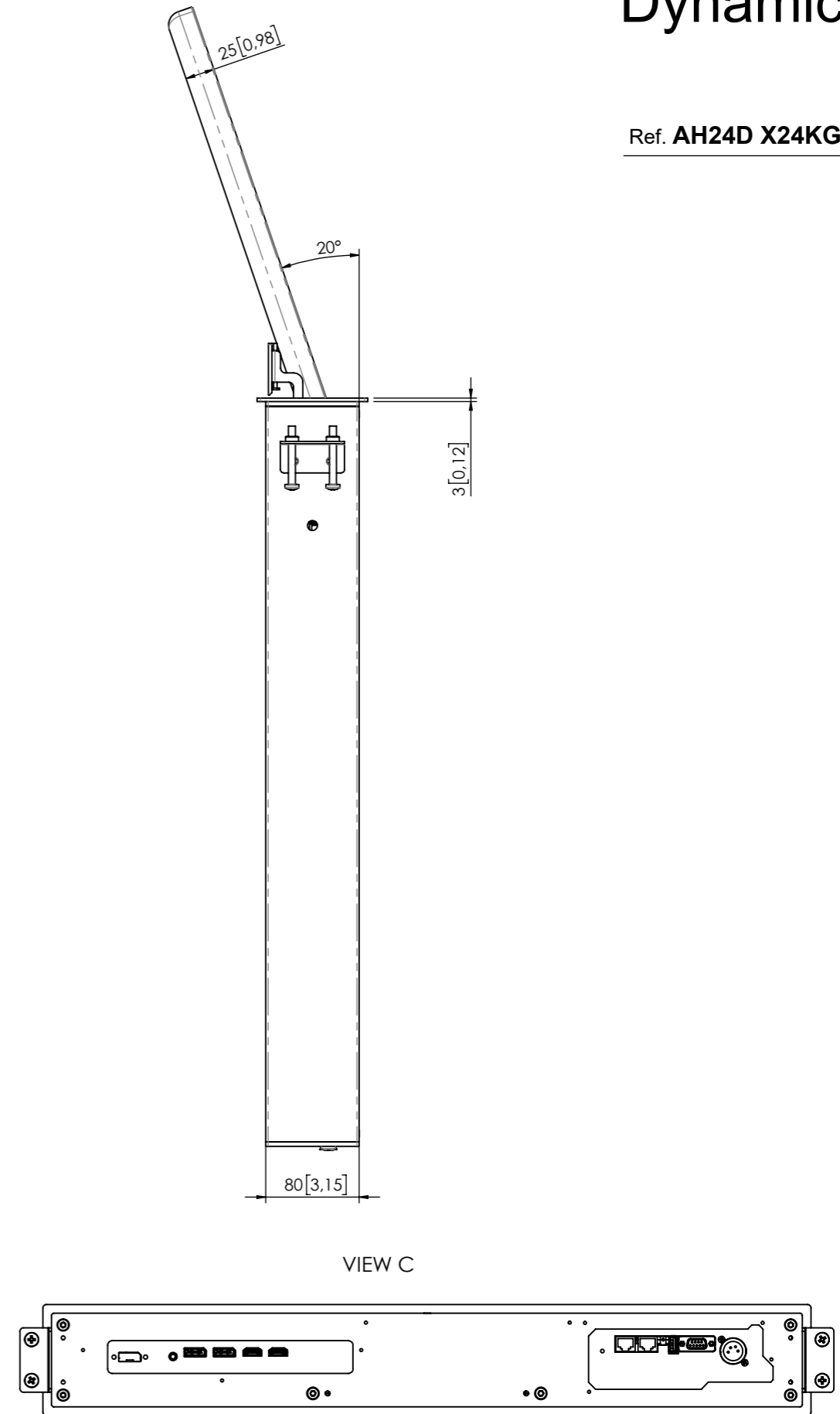


Professional 23,8" 24k widescreen
retractable data monitor with 20°
of inclination, to be integrated into
meeting and conference room tables



Ref. **AH24D X24KGA v4.2**



GENERAL DIMENSIONS

Scale 1:5
Dimensions in millimeters [inches]
Revision: 0
Projection:
Structure: 0800GD000

ARTHUR HOLM

Albiral Display Solutions SL
Fàtima 25, Sant Hipòlit de Voltregà. 08512 Barcelona (SPAIN)
TEL: +34 93 850 23 76 / 23 83 FAX: +34 93 850 25 50
WEB: www.arthurholm.com EMAIL: marketing@albiral.com