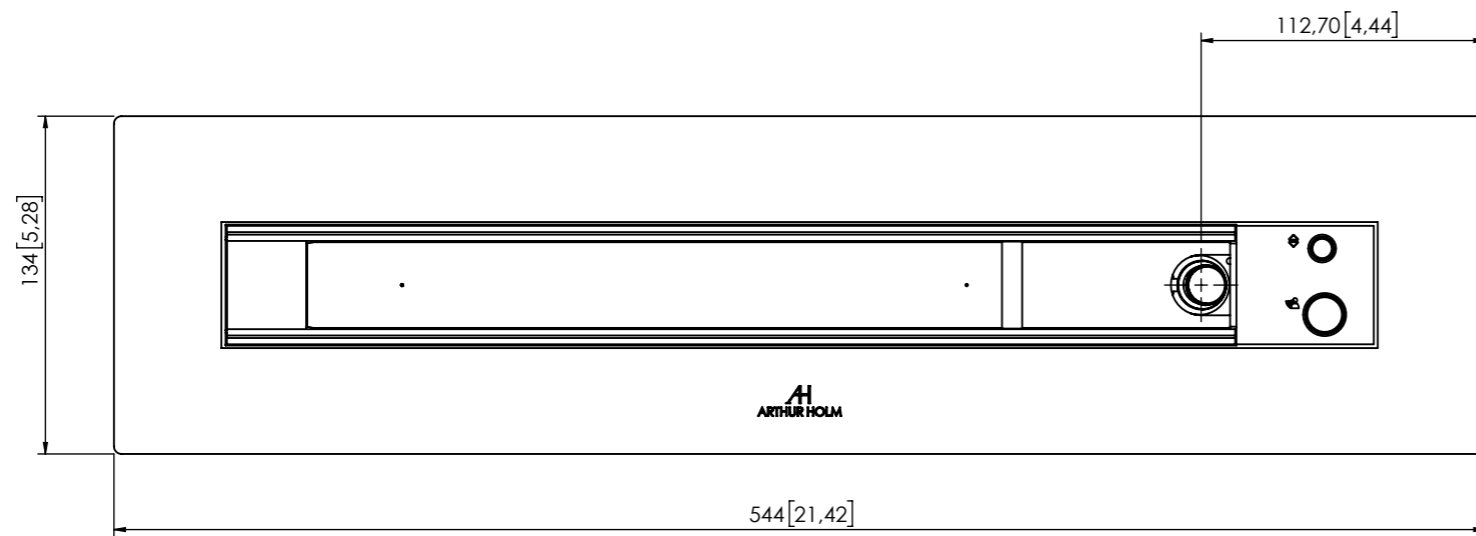
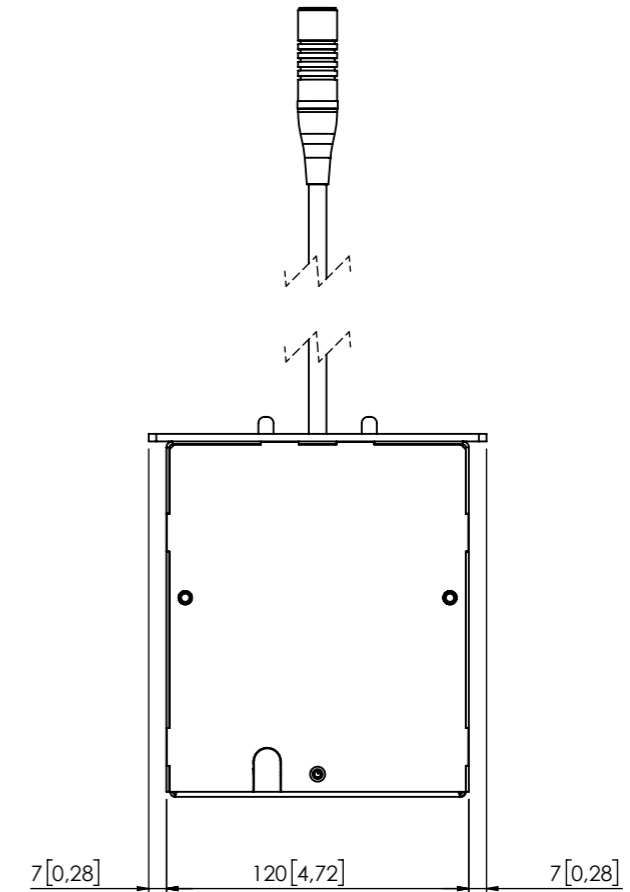
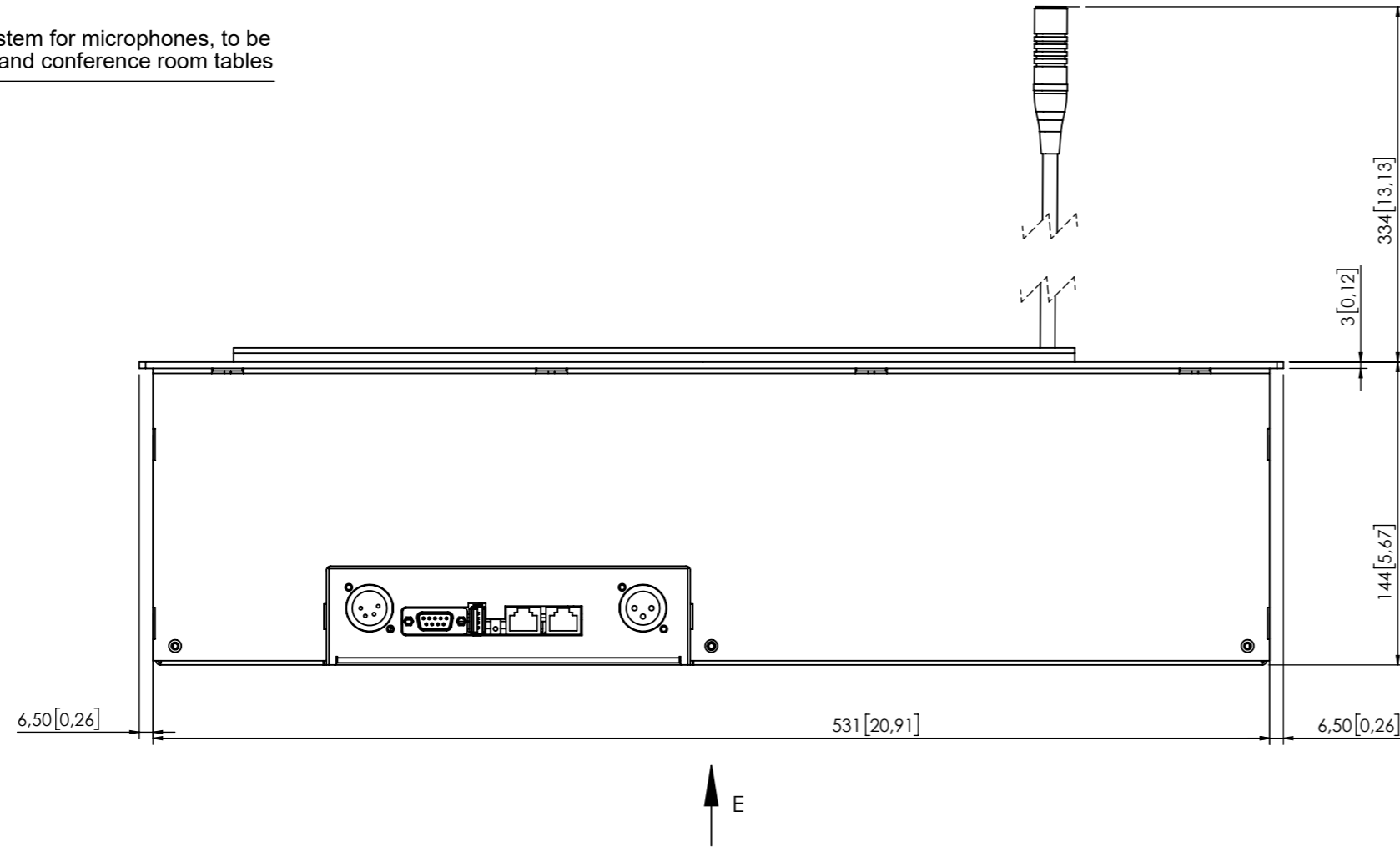
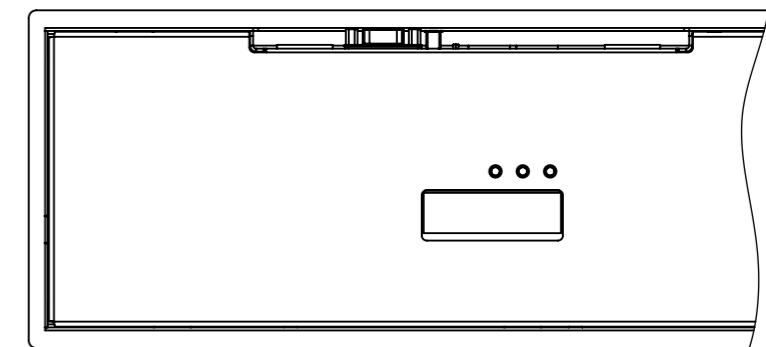


Professional foldabl system for microphones, to be integrated into meeting and conference room tables

Ref. AHDTH S v2.1



VIEW E



GENERAL DIMENSIONS

Scale 1:2
Dimensions in millimeters [inches]
Revision: 0
Projection:
Structure: 846GD000

ARTHUR HOLM

Albiral Display Solutions SL
Fàtima 25, Sant Hipòlit de Voltregà. 08512 Barcelona (SPAIN)
TEL: +34 93 850 23 76 / 23 83 FAX: +34 93 850 25 50
WEB: www.arthurholm.com EMAIL: marketing@albiral.com