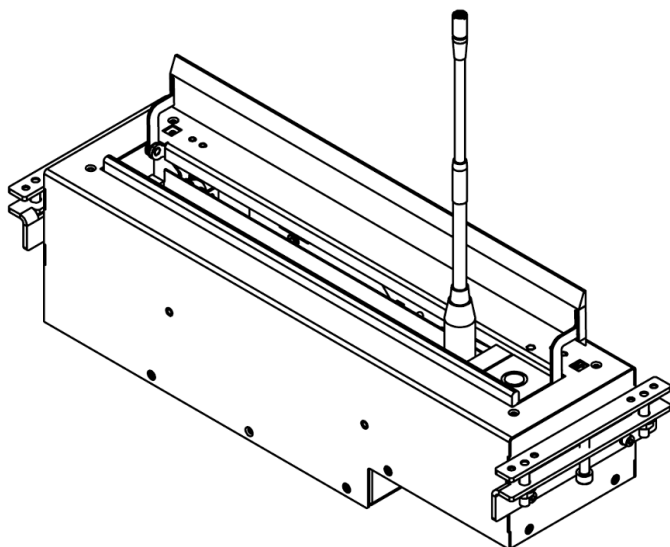




User Guide



DynamicTalkH

Universal motorised horizontal lift system for gooseneck microphones

Technology Serving Design

Danish craftsmanship
Mediterranean soul


ARTHUR HOLM

WELCOME

Thank you for purchasing an ARTHUR HOLM product.

Please, read this installation and operating instructions carefully and keep them in a safe place for future reference.

We remain at your entire disposal if you have any suggestions.

Henrik Holm

General Manager

hholm@albiral.com

ABOUT US

The Company

Arthur Holm has its origins in the Danish furniture designer Jorgen Alex Jensen, who was active during the sixties and the seventies. His design inspiration and his concept of ergonomics have been continued by his family, who is the design force behind Arthur Holm product range. The result of combining Scandinavian design tradition with Mediterranean creativity, flexibility and emotion is a wide product range built on more than 25 years of craftsmanship.

Arthur Holm offers a professional product range where tomorrow's technology is shaped into valued materials with design flexibility and customisation, specially created to enhance communication in reception, collaboration, conference and meeting areas.

The art of customisation

Arthur Holm offers a range of ingenious products whose designs are based on quality materials and the latest technology. Products which endow meeting and conference rooms with silent, ergonomic, innovative and aesthetic solutions that integrate into the furniture, hang from the walls as works of art or are used as interactive points of information.

The world of Arthur Holm

Arthur Holm offers a selection of unique, elegant, versatile, flexible and ergonomic products that are being used in meeting and conference rooms, reception areas, huddle rooms, control rooms, auditoriums and public zones of leading companies throughout the world.

The numbers speak for themselves! We currently own 33 product patents, have presence in over 45 countries with products and solutions in more than 25,000 installations.

It will be our pleasure to work with you, designing your unique and personalised environment. Our broadcast electronic engineers will provide the latest technology while our design team will offer you the most exclusive appearance.

Our team puts its heart, passion and pride in all our designs.

TABLE OF CONTENTS

REGULATIONS AND SECURITY	5
SAFETY INSTRUCTIONS	5
SYSTEM DESCRIPTION	7
INPUT CONNECTIONS	9
CONTROLS	10
AHnet PROTOCOLS	11
INFORMATION ON DISPOSAL	13
WARRANTY TERMS AND CONDITIONS	14

REGULATIONS AND SECURITY



ATTENTION: Do not disassemble or modify the device in any way. This symbol warns of the presence of dangerous un-insulated voltages inside some of the components, of sufficient magnitude to expose people to risk of electronic shock.



This symbol draws attention to important use and maintenance instructions in the manual that accompanies the unit.



This symbol indicates that the equipment conforms to the norms established by the European Community.



This symbol indicates D.C. current.

SAFETY INSTRUCTIONS

Plugs

- Do not dismantle any part of the unit power connector.
- Disconnect the power plug from the AC outlet when the unit is not going to be used for an indefinite period of time.

Power and extensions cords

- Use the appropriate power cord with the correct plug type.
- Do not overload wall outlets or power cords.
- Make sure the total ampere passed through a extension cord does not exceed the maximum allowed by the cable used.
- Do not place anything on the power cord.
- Do not locate this product where a person may walk or trip over the cord.

SAFETY INSTRUCTIONS



Wiring connected to hazardous voltage requires installation by qualified personnel or the use of ready-made flexible cables.



For your security, your equipment must be connected to an electrical outlet with grounding connection protection.

Since the plug is used to disconnect the device, the operating electrical outlet must be in an easily accessible place.

Environment

- Install the equipment on an elevated, flat surface.
- Cannot be installed at a height greater than two meters.
- Install the equipment in a ventilated area.
- Avoid exposing the equipment to:
 - Rain or water
 - Excessive heat, cold or humidity
 - Area exposed to direct sunlight
 - Dirty areas
 - Equipment generating strong magnetic fields
- Avoid placing open containers of liquid, near the equipment.
- Keep a minimum distance of 30 mm in order to have good ventilation.
- Never place above the device any sources of flames such as lighted candles, etc.
- If you are using the device in extreme weather conditions and/or tropical climates, the equipment should be installed in a room which ensures a reasonable level of temperature and humidity.
- To prevent damage, the equipment must be firmly anchored to the surface, as shown in the installation instructions.

SYSTEM DESCRIPTION

General

DynamicTalkH allows the microphone to be bended while returning automatically to its original, concealed horizontal position.

DynamicTalkH is a horizontal lift for gooseneck microphones specially developed to optimise table space. It ensures comfort and space enough for legs. Silent, remotely controllable and elegant, DynamicTalkH is reliable and simple to install. Veneering is also available to match surface finish of the table.

The microphone can be bended while returning automatically to its original horizontal position. DynamicTalkH not only cleverly conceals the microphone within the desk, but also provides an interior light that goes from red to green to indicate its status. Microphones are stored safely, improving the flexibility of meeting spaces and leaving tables free for other purposes.

DynamicTalkH has 2 different working modes (PA and Conference) and can be remotely controlled and diagnosed through the AHnet protocol (RS-422).

Highlights

- Adapts to 40 cm length microphones
- Low space required underneath the table
- Dynamic LED to indicate microphone's status

Box Contents

Before the installation of your retractable unit, please check the contents of the shipping box, it must contain the following items:

- DynamicTalk
- Power cord
- Power supply 100-240Vac, 50-60Hz. Output 12V
- User Manual



CAUTION: Never use this equipment on horizontal position

SYSTEM DESCRIPTION

Available Models

MODEL	DESCRIPTION
AHDTHS	Horizontal retractable system for gooseneck microphones with a maximum length of 400 mm (microphone not included).

Options

AHDTHS
UI Underneath installation
MCTH (Min.5 units) Matte cover plate

INPUT CONNECTIONS



12V D.C.: Power supply input connector. XLR-4 connector.

- 1,2: Ground
- 3,4: 12Vdc

GPI: Unit external contact close control. SubD9 female.

1. GPI1 +
 2. GPI1 –
 3. GPI2 +
 4. GPI2 –
 5. GPI3 –
 6. GPI3 +
 7. N.C.
 8. +12Vdc (600mA max.)
 9. Ground:
- Use GPI1 (1:12Vdc, 2:Ground) to activate the green LEDs
 - Use GPI2 (3:12Vdc, 4: Ground) to switch off the LEDs
 - Use GPI3 (6:12Vdc, 5: Ground) to activate the red LEDs

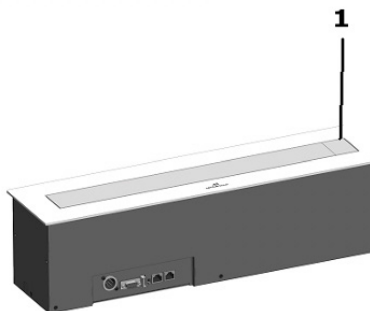
Termination: Activate (ON) the termination. Only on the last unit of the RS422 bus.

AHnet: RJ45 CAT6 connector for addressable RS422 control. There is a loop through connector to use as signal RS422 output. Up to 30 units can be connected on the same RS422 bus.

Service: Used for firmware upgrade.

CONTROLS

Push button 1, to open the microphone.



Push button 2 to close the microphone.



AHNET PROTOCOL

Communications protocol

COMMUNICATION CONNECTION	RS422
WIRING	RJ45
	CAT-6

Speed and configuration

BAUD RATE	38400
DATA BITS	8
PARITY	NONE
STOP BITS	1

Wiring Diagram

1. Data TX +
2. Data TX -
3. Data RX +
4. NC
5. NC
6. Data RX
7. NC
8. NC



RJ-45

Connection

- PINS 1 & 2 The units respond
PINS 3 & 6 The units receive instructions

Protocol to control the unit by addressable RS422 bus.
You can connect up to 30 devices on the same RS422 bus.
You can use an AH Interface Ethernet, to control the RS422 bus.
The units should have a set address and the address must start by 1.
Maximum cable length between ends, 500 m/1640 ft.

AHnet protocol

Using 5 bytes communication:

BYTE 0	START BYTE
BYTE 1	ADDRESS BYTE
BYTE 2	COMMAND BYTE
BYTE 3	VALUE 1
BYTE 4	VALUE 2

AHNET PROTOCOL

Commands

COMMAND	DESCRIPTION	RESPONSE
FA XX 01 01 00	GO UP	FB XX 01 01 00
FA XX 01 00 00	GO DOWN	FB XX 01 00 00
FA XX 02 00 00	SWITCH OFF LEDs	FB XX 02 00 00
FA XX 02 01 00	ACTIVATE GREEN LEDs	FB XX 02 01 00
FA XX 02 02 00	ACTIVATE RED LEDs	FB XX 02 02 00
FA XX 14 00 00	INQUIRY CONTROL BYTE	FB XX 14 CB1 CB2

XX Number of the DynamicTalk address. Up to 30 units can be connected for each RS422 BUS

CB1 Response in 8 bits of the device status

CB2 Not implemented

CB1

BITE 0	TOP POSITION
BITE 1	DOWN POSITION
BITE 2	
BITE 3	
BITE 4	
BITE 5	
BITE 6	
BITE 7	(1) FAILURE IN THE SYSTEM

To send an order to all the devices, you must use the address:
F7 Hex. (Byte1)

In this case, the units do not respond
Use shielded (FTP) RJ45 cables for RS422 BUS.

INFORMATION ON DISPOSAL FOR USERS OF WASTE ELECTRICAL & ELECTRONIC EQUIPMENT



This symbol on the products and/or accompanying documents means that used electrical and electronic products should not be mixed with general household waste.

For proper treatment, recovery and recycling, please take these products to the designated collection points, where they will be accepted on a free of charge basis. Alternatively in some countries, you may be able to return your products to your local retailer upon the purchase of an equivalent new product.

Disposing of this product correctly will help save valuable resources and prevent any potential negative effects on human health and the environment, which could otherwise arise from inappropriate waste handling. Please contact your local authority for further details of your nearest designated collection point.

Penalties may be applicable for incorrect disposal of this waste, in accordance with national legislation.

For business users in the European Union

If you wish to discard electrical and electronic equipment, please contact your dealer or supplier for further information.

Information on disposal in countries outside the European Union

This symbol is only valid in the European Union. If you wish to discard this product, please contact your local authorities or dealer and ask for the correct method of disposal.

WARRANTY TERMS AND CONDITIONS

Albiral Display Solutions warrants this product against manufacturing defects and workmanship for a period of two (2) years from the date of purchase, subject to the conditions below.

1. Electrical, electronic boards, accessories and power supply are warranted against manufacturing defects and workmanship for a period of two (2) years from the date of purchase
2. Labour costs: Albiral Display Solutions covers the labour costs to replace any defective parts during the validity of this warranty.
3. Transport costs:
 - 5.1. In the case that a manufacturing defect occurs within 90 days after the purchase date, both freight and insurance costs will be paid by Albiral Display Solutions.

Although Albiral Display Solutions S.L. pays for freight and insurance costs, Albiral Displays Solutions will not be responsible for any damages caused by the transportation of the goods if the customer does not inform in writing when receiving the goods.

- 5.2. After 90 days of the purchase date, the beneficiary of the warranty will pay both freight and insurance costs.

Albiral Display Solutions S.L. will not be responsible for any damages caused by transportation, when this one is paid by the customer.

4. This warranty does not cover the labour costs of handling, diagnose, removal, replacement, reinstall and/or program any product.
5. This warranty does not apply if the fault has been caused by misuse, improper handling, electrical or mechanical abuse, abnormal operation conditions, non-authorized modifications, and inadequate transportation or as a result of atmospheric phenomenons.

WARRANTY TERMS AND CONDITIONS

6. The warranty is not valid if people other than authorised Service Centre have handled the product and if the product has been manipulated or warranty seals are removed or manipulated.
7. The beneficiary of the warranty will have to return the product with the original packaging to warranty there are no damages during transportation.
8. The warranty is not valid if the beneficiary of the warranty does not include a RMA form and a copy of the purchasing invoice.

Please note that laws vary from country to country, and the same provisions of this warranty may not apply to you.

If you have any doubts concerning the terms of this warranty, please contact:

business@albiral.com

+34 938 502 376

Copyright ©

Nov. 2020. All rights reserved

Albiral Display Solutions SL.

Registered trademarks: Albiral, Arthur Holm

**Albiral
Display
Solutions**

Fàtima 25, Sant Hipòlit de Voltregà
08512 Barcelona – Spain
tel: +34 93 850 23 76 / 23 83
fax: +34 93 850 25 50 / 23 72
web: www.arthurholm.com
e-mail: marketing@arthurholm.com

Patents

MU17180ES00	P27178ITEP
MU17301ES00	P27178RUPC
MU17322ES00	P27178USPC
MU17413ES00	P27284DEEP
MU17445ES00	P27284EPPC
MU17854ES00	P27284ESEP
MU17868DEPC	P27284GBEP
MU17868RUPC	P27284RUPC
P24821DEEP	P27284USPC
P24821ESEP	P27715ESEP
P24821GBEP	P28089DEEP
P24821USPC	P28089ESEP
P27178DEEP	P28089ITEP
P27178EPDV01	P28089USPC
P27178EPPC	P28090EP00
P27178ESEP	P31160ESES
	P31160PCES