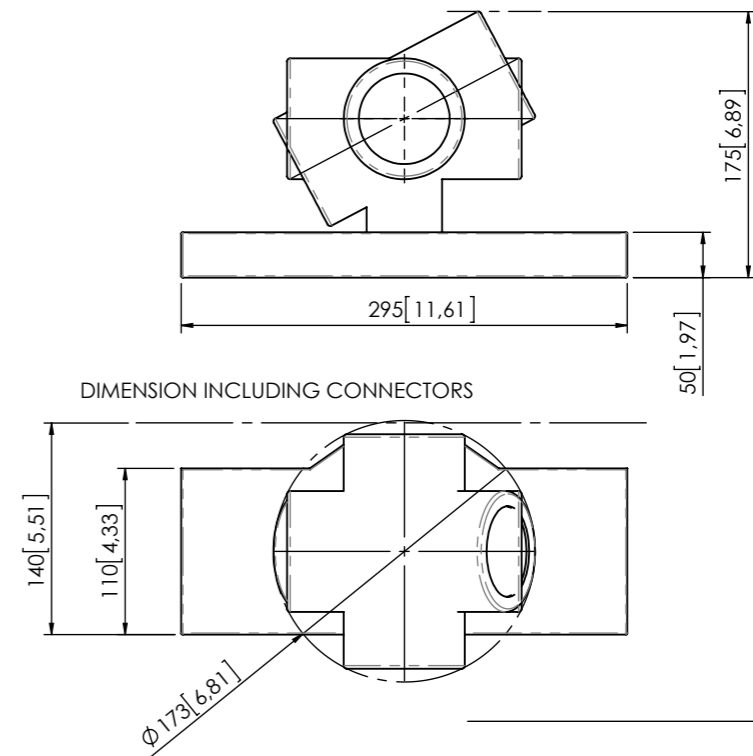


PATTERN HOLE

MAXIMUM CAMERA DIMENSIONS



GENERAL DIMENSIONS

Scale 1:5
Dimensions in millimeters [Inches]
Revision: 1
Projection: