



User Guide



Dynamic Vision

Motorised wall mount for video conference cameras

Technology Serving Design

Danish craftsmanship
Mediterranean soul


ARTHUR HOLM

TABLE OF CONTENTS

REGULATIONS AND SECURITY	5
SAFETY INSTRUCTIONS	5
SYSTEM DESCRIPTION	7
INSTALLATION INSTRUCTIONS	9
UPHOLSTERY INSTRUCTIONS	13
POWER AND CONTROL	16
CONTROLS	17
AHnet PROTOCOL	18
AHlink	20
INFORMATION ON DISPOSAL	23
WARRANTY TERMS AND CONDITIONS	24

WELCOME

Thank you very much for purchasing an Arthur Holm product.

Please, read these installation and operating instructions carefully and keep them in a safe place for future consultations.

We remain at your entire disposal if you have any suggestions.

Henrik Holm

General Manager

hholm@albiral.com

ABOUT US

The Company

Arthur Holm has its origins in the Danish furniture designer Jorgen Alex Jensen, who was active during the sixties and the seventies. His design inspiration and his concept of ergonomics have been continued by his family, the design force behind Arthur Holm product range. The result of combining Scandinavian design tradition with Mediterranean creativity, flexibility and emotion is a wide product range built on more than 25 years of craftsmanship.

Arthur Holm offers a professional product range where tomorrow's technology is shaped into valued materials with design flexibility and customisation, specially created to enhance communication and collaboration in reception, conference and meeting areas.

The art of customisation

Arthur Holm offers a range of ingenious products whose designs are based on quality materials and the latest technology. Products which endow meeting and conference rooms with silent, ergonomic, innovative and aesthetic solutions that integrate into the furniture, hang from the walls as works of art or are used as interactive points of information.

The world of Arthur Holm

Arthur Holm offers a selection of unique, elegant, versatile, flexible and ergonomic products that are being used in meeting and conference rooms, reception areas, auditoriums and public zones of leading companies throughout the world.

The numbers speak for themselves! We currently own 33 product patents, have presence in over 45 countries with products and solutions in more than 25,000 installations.

It will be our pleasure to work with you, designing your unique and personalised environment. Our broadcast electronic engineers will provide the latest technology while our design team will offer you the most exclusive appearance.

Our team puts its heart, passion and pride in all our designs.

REGULATIONS AND SECURITY



ATTENTION: Do not disassemble or modify the device in any way. This symbol warns of the presence of dangerous un-insulated voltages inside some of the components, of sufficient magnitude to expose people to risk of electronic shock.



This symbol draws attention to important use and maintenance instructions in the manual that accompanies the unit.



This symbol indicates that the equipment conforms to the norms established by the European Community.



This symbol indicates D.C. current.

SAFETY INSTRUCTIONS

Plugs

- Do not dismantle any part of the unit power connector.
- Disconnect the power plug from the AC outlet when the unit is not going to be used for an indefinite period of time.

Power and extensions cords

- Use the appropriate power cord with the correct plug type.
- Do not overload wall outlets or power cords.
- Make sure the total ampere passed through an extension cord does not exceed the maximum allowed by the cable used.
- Do not place anything on the power cord.
- Do not locate this product where a person may walk or trip over the cord.

SAFETY INSTRUCTIONS



Wiring connected to hazardous voltage requires installation by qualified personnel or the use of ready-made flexible cables.



For your security, your equipment must be connected to an electrical outlet with grounding connection protection.

Since the plug is used to disconnect the device, the operating electrical outlet must be in an easily accessible place.

Environment

- Install the equipment on an elevated, flat surface.
- Install the equipment in a ventilated area.
- Avoid exposing the equipment to:
 - Rain or water
 - Excessive heat, cold or humidity
 - Area exposed to direct sunlight
 - Dirty areas
 - Equipment generating strong magnetic fields
- Avoid placing open containers of liquid, near the equipment.
- Keep a minimum distance of 30 mm in order to have good ventilation.
- Never place above the device any sources of flames such as lighted candles, etc.
- If you are using the device in extreme weather conditions and/or tropical climates, the equipment should be installed in a room which ensures a reasonable level of temperature and humidity.
- To prevent damage the equipment must be firmly anchored to the surface, as shown on the installation instructions.

SYSTEM DESCRIPTION

General

DynamicVision provides the ideal solution to conceal video conference cameras and controls, improving the interior design of the conference room with its easily adaptable front enclosure that can be covered with various materials.

The camera is activated via RS-422 or infrared. When not required, it's neatly stored away, both protecting the camera and securing the work environment. The front enclosure moves vertically to display the camera while moving the camera forward simultaneously. DynamicVision is the perfect solution for systems integrators, architects, interior designers and space planners.

The camera can be neatly stored away when not in use.

Highlights

- Compatible with the most popular video conference cameras on the market
- RS-422 and Infrared controllable
- Customisable cover
- Maintenance free
- Easy to install

SYSTEM DESCRIPTION

Available Models

MODEL	DESCRIPTION
AHDV01	Motorised camera wall mount enclosure for videoconference cameras. Upward moving cover. Controls: AHnet (RS-422) and Infrared remote control.
AHDV02	Motorised camera wall mount enclosure for videoconference cameras. Downward moving cover. Controls: AHnet (RS-422) and Infrared remote control.

Box Contents

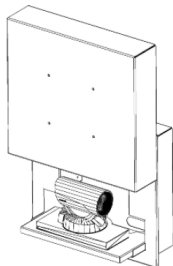
Before the installation of your retractable system, please check the contents of the shipping box, it must contain the following items:

- Motorised lift system
- Power cord
- Remote control
- Power supply 100-240Vac, 50-60Hz. Output 12V
- User Manual

Important note: This device can only work with the power supply included in the shipping box. This power supply can not be replaced by any other rather than the original one.

INSTALLATION INSTRUCTIONS

DynamicVision is supplied with the frontal lid made to be upholstered with different fabrics. The necessary components to cover the lid are supplied with the device except the fabric.



Pattern Hole

The pattern hole as well as the product dimensions are stated in the document "General dimensions".

Attention

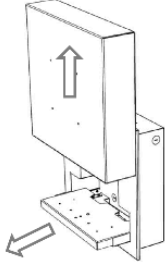
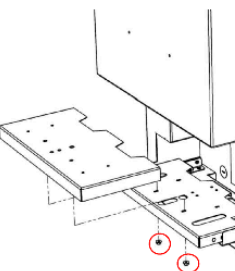
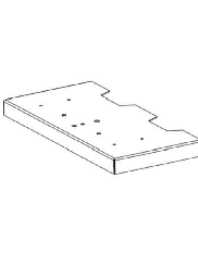

Manipulation of the product should be avoided, no stress should be applied to the product except from the instructions given in this document. Cutting, drilling, soldering, adding electrical and mechanical components can cause danger and should be avoided by all means. Not complying with these directions will result in a loss of the Arthur Holm warranty. Albiral Display Solutions S.L. shall not be liable for any loss or injury incurred as a result of modifications made to goods by anyone other than the supplier or the supplier's authorised representative with the supplier's written permission. Such modifications shall be deemed to terminate any further guarantee obligations.

INSTALLATION INSTRUCTIONS

Assembling Camera on DynamicVision

The DynamicVision camera tray has been equipped with carefully placed mounting holes to ensure the perfect alignment of the camera respecting the horizontal view. These holes complies to a great range of camera mounting holes.

It should be intended to use the mounting holes for proper installation. Should this not be possible, double side tape can be applied.

1. Connect the power of DynamicVision and open it.	2. Disconnect the power. Unscrew the 2 nuts of the tray	3. Fasten the camera by means of screws or double-side tape.	4. Assemble the tray with the camera by screwing the two nuts.
			

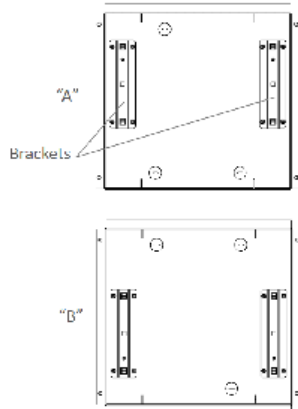
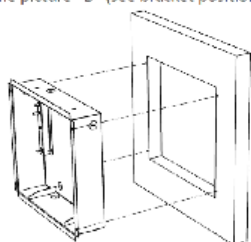
INSTALLATION INSTRUCTIONS

Installing DynamicVision

Screw the Mounting Box to the wall using countersink screws. Make sure the Mounting Box is aligned respecting the horizontal view.

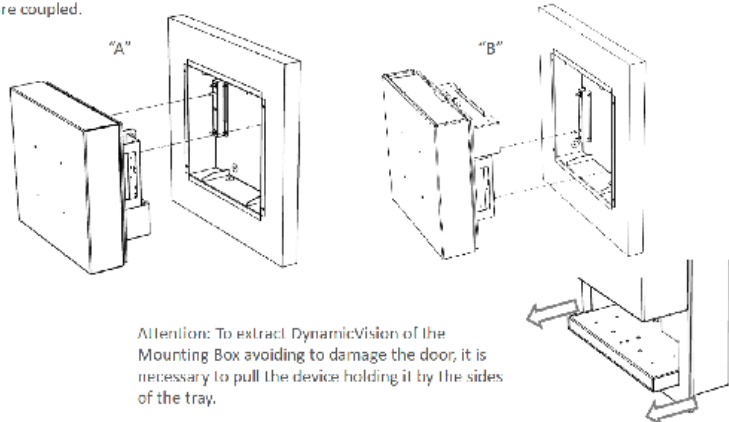
Depending on the DynamicVision ordered, the cover opens upwards or downwards.

- If DynamicVision opens upwards the MountingBox must be installed as in the picture "A" (see bracket position)
- If DynamicVision opens downwards the MountingBox must be installed as in the picture "B" (see bracket position)



The MountingBox of the DynamicVision have some semi-die cut, break the needed one to pass the cables trough and connect the camera. The cable have enough loop inside the DynamicVision to allow the tray to do its movement.

2. Approach the DynamicVision to the Mounting Box in order to connect the cables. Subsequently, insert the device into the Box pressing it until the fastening clips are coupled.



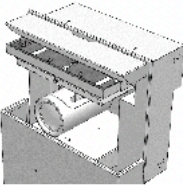
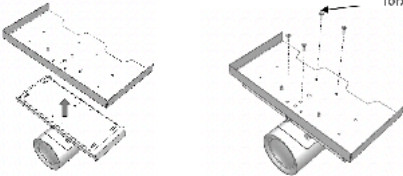

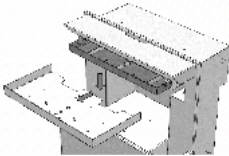
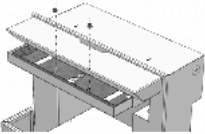
Attention: To extract DynamicVision of the Mounting Box avoiding to damage the door, it is necessary to pull the device holding it by the sides of the tray.

INSTALLATION INSTRUCTIONS

Mounting guide for Cisco Precision 60

CISCO PRECISION 60

1. Connect the power of DynamicVision and open it, disconnect the power. Unscrew the 2 nuts of the tray
2. Remove the camera support tray
3. Remove screws and do not use. (Camera Cisco Precision 60)
4. Anchor the camera to the tray using the screws and key included in the packaging
5. Assemble the tray with the camera by screwing the two nuts.



REMOVE SCREWS AND DO NOT USE
Torx key T7 (C)

(X4) BN5128 M3X12
Torx key T7

* Mounting guide available under request for other brands and models.

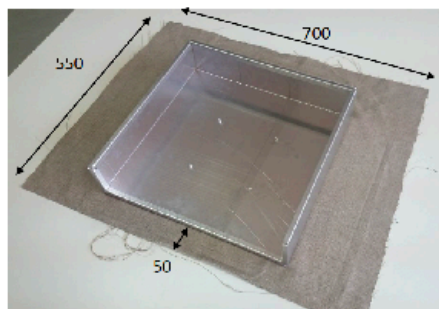
UPHOLSTERY INSTRUCTIONS

Preparing the fabric

PREPARING THE FABRIC

Fabric thickness shouldn't be more than 0.3mm [0.01inch]. Otherwise, the tubes to hold the fabric should have a smaller diameter.

- Cut a 550x700mm [21.6x27.5inch] rectangular piece of fabric
- Following tubes are provided for the upholstery: 2x360mm [14.1inch], 2x340mm [13.4inch] and 2x70mm [2.75inch]
- Smooth out the piece of fabric on a flat and clean surface and place the DynamicVision front lid over it, ensuring that it's centered and leaving 50mm [1.9inch] on the lower side as shown.



Provided tubes



Upholstering

UPHOLSTERING

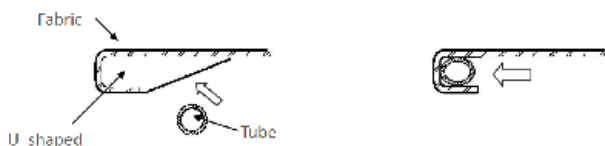
1. Push the fabric into the upper corner slots with the help of a card, make sure you pull it tightly so that it is perfectly framed.



UPHOLSTERY INSTRUCTIONS

UPHOLSTERY

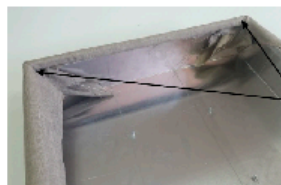
- The tubes are used to trap the fabric into the U-shaped section on the edges of the lid.



- Start upholstering the top side first using one of the 360mm tubes. Start by trapping the fabric in the middle and then keep pressing to the sides.

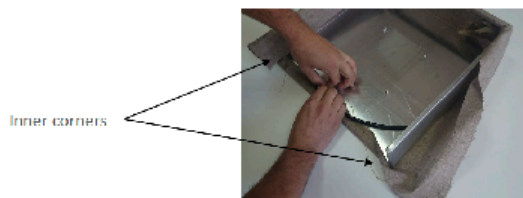


UPHOLSTERY



Pull the fabric from the inside of the corners

- Next upholster the bottom side, folding the inner corners neatly. It's important to pull the fabric tightly before trapping it into the U_shape section.



- Do the same with the laterals, this time using the 340mm [13.4inch] tubes. Make sure the fabric is well inserted in the inner corners. Remember to pull the fabric tightly before trapping the opposite lateral

UPHOLSTERY INSTRUCTIONS

UPHOLSTERY

5. Trappe the fabric in the smaller edges with the 2x 70mm [2.75inch] tube

6. You may trim an excess of fabric:

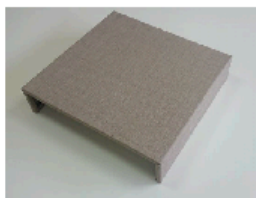


Excess of fabric



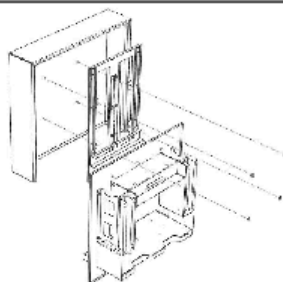
UPHOLSTERY

7. The lid is now ready to be assembled

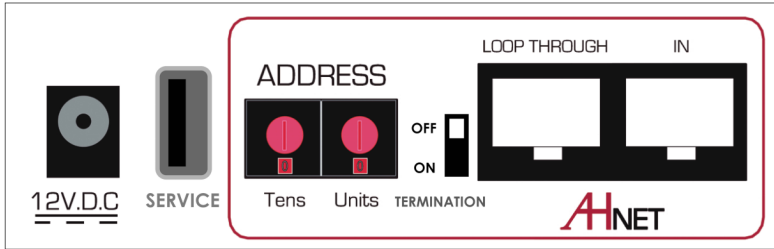


ASSEMBLING THE LID

Use the M4 nuts provided to assemble the lid to the DynamicVision. Use a 7mm box spanner



POWER AND CONTROL



AHnet: RJ45 CAT6 connector for addressable RS422 control. There is a loop through connector to use as signal RS422 output. Up to 30 devices can be connected on the same RS422 bus.

Termination: Activate (ON) the termination ONLY, on the last device of the RS422 bus.

Address: Configure the AHnet unit address on RS422 bus to individually control the unit using RS422 AHnet protocol

12V D.C.: Power supply input connector

Service: Use USB only for service.

CONTROLS



Push the top arrow to lift the front cover. Please be sure that there is nothing that may obstruct the path of the device's vertical movement. While the cover moves upwards, the tray that supports the video conference camera moves forward. Please be sure that there are also no obstructions on its path.



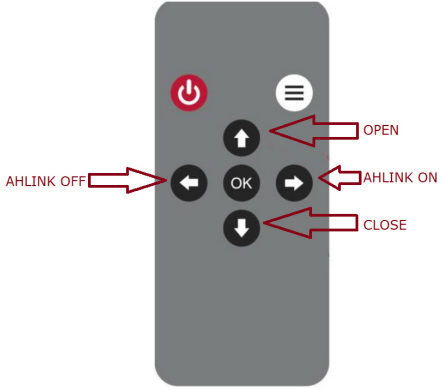
Push the down arrow to close the front cover. Please be sure that there is nothing that may obstruct the path of the device's vertical movement. While the cover moves downwards covering the video conference camera, the tray that supports the video conference camera retracts into the enclosure. Please be sure that there are also no obstructions on its path.



Push the right arrow to activate AHlink signal



Push the left arrow to deactivate AHlink signal



AHnet PROTOCOL

Communications protocol

COMMUNICATION	RS422
CONNECTION	RJ45
WIRING	CAT-6

Speed and configuration

BAUD RATE	38400
DATA BITS	8
PARITY	NONE
STOP BITS	1

Wiring Diagram

- 1. Data TX +
- 2. Data TX -
- 3. Data RX +
- 4. NC
- 5. NC
- 6. Data RX -
- 7. NC
- 8. NC



RJ-45

Connection

PINS 1 & 2	The units respond
PINS 3 & 6	The units receive instructions

Protocol to control the device by addressable RS422 bus.
You can connect up to 30 devices on the same RS422 bus.
You can use AH Interface ERT to control the RS422 bus.
The units should have a set address and the address must start by 1.
From the ERT to the last device on the AHnet, the maximum cable length between ends should not exceed 500 m/1640 ft.

AHnet PROTOCOL

AHnet protocol

Using 5 bytes communication:

BYTE 0	START BYTE
BYTE 1	ADDRESS BYTE
BYTE 2	COMMAND BYTE
BYTE 3	VALUE 1
BYTE 4	VALUE 2

Commands

COMMAND	DESCRIPTION	RESPONSE
FA XX 01 01 00	OPEN	FB XX 01 01 00
FA XX 01 00 00	CLOSE	FB XX 01 00 00
FA XX 14 00 00	INQUIRY CONTROL BYTE	FB XX 14 CB1 CB2

XX Number of the device address. Up to 30 devices for each RS422 BUS

CB1 Response in 8 bites of the device status

CB2 Response in 8 bites of the device status

CB1

BITE	7	6	5	4	3	2	1	0
CLOSED			1	1	0	1		
OPENED			0	1	0	1		
PROTECTION STOP								1
EQUIPMENT OK								0

To send an order to all the devices, you must use the address:

249 Dec. (Byte1)

F9 Hex. (Byte1)

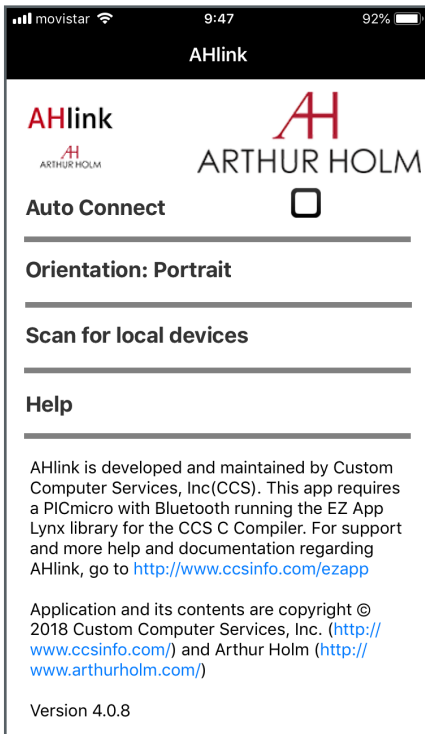
In this case, the units do not send a reply.

AHlink

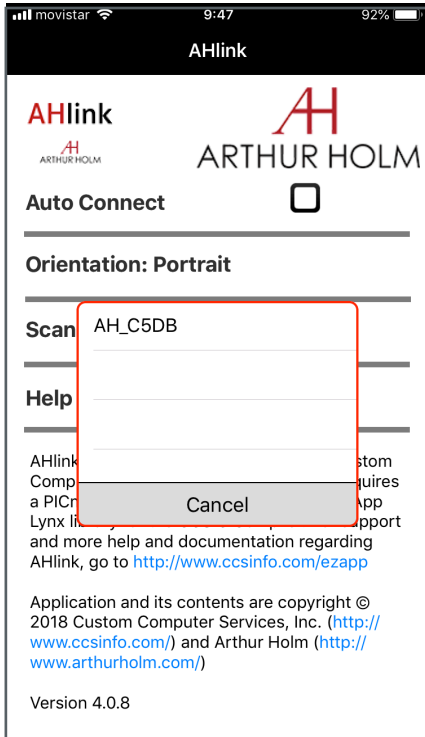
AHlink is used to control and set-up the unit.

To control and set up your AH product with AHlink, please download it from the App Store (IOS system) or from Google Play (Android system) and execute it in your handled device.

It is recommended on to select *Auto Connect* and select *Portrait* on *Orientation*. To connect it, select *Scan for local devices*.



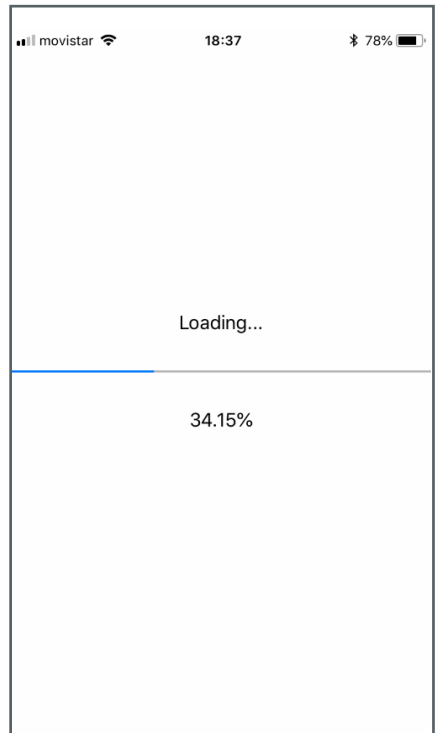
AHlink



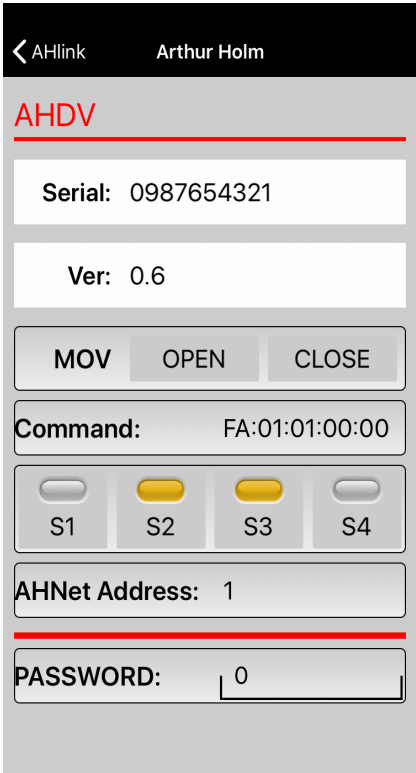
After selecting the AH device, the first page will upload on your screen. This page is used for the basic installation setup.

If your AH device does not appear on the screen, the AHlink signal might no longer be active.

The AHlink name always begins with the characters "AH" followed by the four last MAC AHlink address. You must select the AH device.



AHlink



SERIAL
Serial number of the unit

VER
Firmware version

MOV
Controls the Open and Close unit movements

COMMAND: Information of the last AHnetcommand received from RS 422 port

SENSORS: Indicates sensor status.
S1: indicates the inside tray position
S2: indicates the outside tray position
S3: indicates the open cover position
S4: indicates the close cover position

AHnet ADDRESS: AH address settings

PASSWORD: Access to the factory's settings

INFORMATION ON DISPOSAL FOR USERS OF WASTE ELECTRICAL & ELECTRONIC EQUIPMENT



This symbol on the products and/or accompanying documents means that used electrical and electronic products should not be mixed with general household waste.

For proper treatment, recovery and recycling, please take these products to the designated collection points, where they will be accepted on a free of charge basis. Alternatively, in some countries, you may be able to return your products to your local retailer upon the purchase of an equivalent new product.

Disposing of this product correctly will help save valuable resources and prevent any potential negative effects on human health and the environment, which could otherwise arise from inappropriate waste handling. Please contact your local authority for further details of your nearest designated collection point.

Penalties may be applicable for incorrect disposal of this waste, in accordance with national legislation.

For business users in the European Union

If you wish to discard electrical and electronic equipment, please contact your dealer or supplier for further information.

Information on disposal in countries outside the European Union

This symbol is only valid in the European Union. If you wish to discard this product, please contact your local authorities or dealer and ask for the correct method of disposal.

WARRANTY TERMS AND CONDITIONS

Albiral Display Solutions warrants this product against manufacturing defects and workmanship for a period of two (2) years from the date of purchase, subject to the conditions below.

1. Electrical, electronic boards, accessories and power supply are warranted against manufacturing defects and workmanship for a period of two (2) years from the date of purchase
2. Labour costs: Albiral Display Solutions covers the labour costs to replace any defective parts during the validity of this warranty.
3. Transport costs:
 - 5.1. In the case that a manufacturing defect occurs within 90 days after the purchase date, both freight and insurance costs will be paid by Albiral Display Solutions.

Although Albiral Display Solutions S.L. pays for freight and insurance costs, Albiral Displays Solutions will not be responsible for any damages caused by the transportation of the goods if the customer does not inform in writing when receiving the goods.

- 5.2. After 90 days of the purchase date, the beneficiary of the warranty will pay both freight and insurance costs.

Albiral Display Solutions S.L. will not be responsible for any damages caused by transportation, when this one is paid by the customer.

4. This warranty does not cover the labour costs of handling, diagnose, removal, replacement, reinstall and/or program any product.
5. This warranty does not apply if the fault has been caused by misuse, improper handling, electrical or mechanical abuse, abnormal operation conditions, non-authorized modifications, and inadequate transportation or as a result of atmospheric phenomenons.

WARRANTY TERMS AND CONDITIONS

6. The warranty is not valid if people other than authorised Service Centre have handled the product and if the product has been manipulated or warranty seals are removed or manipulated.
7. The beneficiary of the warranty will have to return the product with the original packaging to warranty there are no damages during transportation.
8. The warranty is not valid if the beneficiary of the warranty does not include a RMA form and a copy of the purchasing invoice.

Please note that laws vary from country to country, and the same provisions of this warranty may not apply to you.

If you have any doubts concerning the terms of this warranty, please contact:

business@albiral.com

+34 938 502 376

Copyright ©

Nov. 2020. All rights reserved

Albiral Display Solutions SL.

Registered trademarks: Albiral, Arthur Holm

**Albiral
Display
Solutions**

Fàtima 25, Sant Hipòlit de Voltregà
08512 Barcelona – Spain
tel: +34 93 850 23 76 / 23 83
fax: +34 93 850 25 50 / 23 72
web: www.arthurholm.com
e-mail: marketing@arthurholm.com

Patents

MU17180ES00	P27178ITEP
MU17301ES00	P27178RUPC
MU17322ES00	P27178USPC
MU17413ES00	P27284DEEP
MU17445ES00	P27284EPPC
MU17854ES00	P27284ESEP
MU17868DEPC	P27284GBEP
MU17868RUPC	P27284RUPC
P24821DEEP	P27284USPC
P24821ESEP	P27715ESEP
P24821GBEP	P28089DEEP
P24821USPC	P28089ESEP
P27178DEEP	P28089ITEP
P27178EPDV01	P28089USPC
P27178EPPC	P28090EP00
P27178ESEP	P31160ESES
	P31160PCES