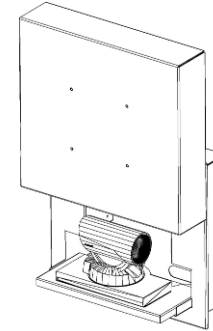




- Mounting Instructions Pg. 2-5
- Upholstery Instructions Pg. 6-11

INTRODUCTION

DynamicVision is supplied with the frontal lid made to be upholstered with different fabrics. The necessary components to cover the lid are supplied with the device except the fabric.



HOLE

The hole pattern as well as the product dimensions are stated in the document “General dimensions”.

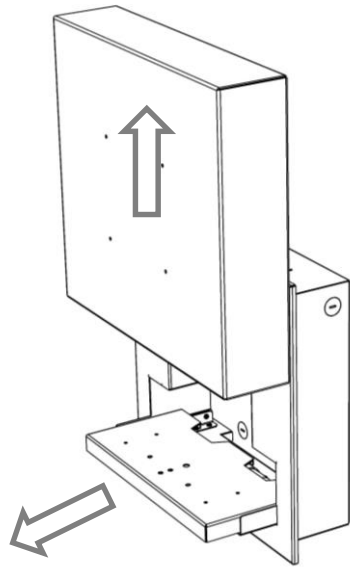
ATTENTION

Manipulation of the product should be avoided, no stress should be applied to the product except from the instructions given in this document. Cutting, drilling, soldering, adding of electrical and mechanical components can cause danger and should be avoided by all means. Not complying with these directions will result in a loss of the Arthur Holm warranty. Albiral Display Solution S.L. shall not be held liable for any loss or injury incurred as a result of modifications made to goods by anyone other than the supplier or the supplier's authorised representative without the supplier's written permission. Such modifications shall be deemed to terminate any further guarantee obligations. Compensation will not be paid for wages, loss of profit, waste of time, packing and transport or any financial liability resulting from defects in the goods. (Albiral Display Solutions shall not be liable for any loss or injury caused by negligence.)

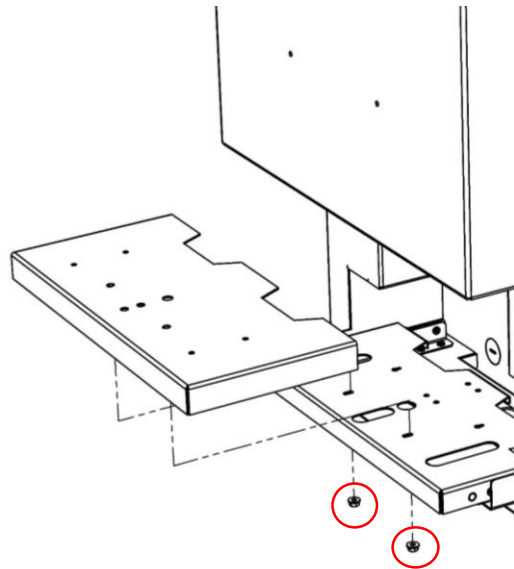
The DynamicVision camera tray has been equipped with carefully placed mounting holes to ensure the perfect alignment of the camera respecting the horizontal view. These holes complies to a great range of camera mounting holes.

It should be intended to use the mounting holes for proper installation.
Should this not be possible, double-side tape can be applied.

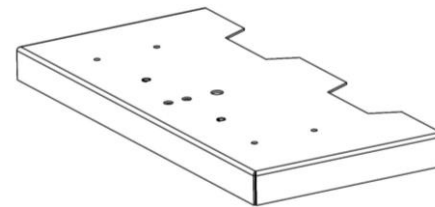
1. Connect the power of DynamicVision and open it.



2. Disconnect the power. Unscrew the 2 nuts of the tray



3. Fasten the camera by means of screws or double-side tape.

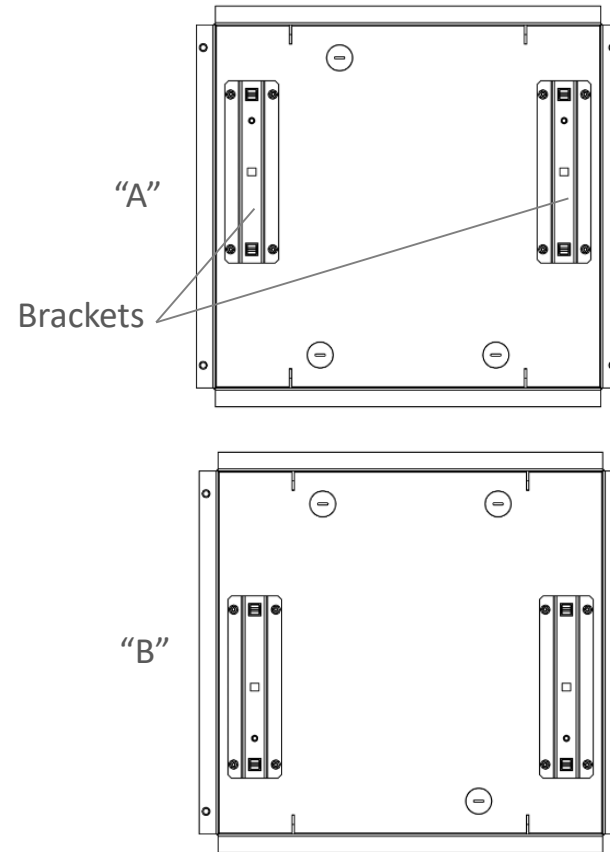
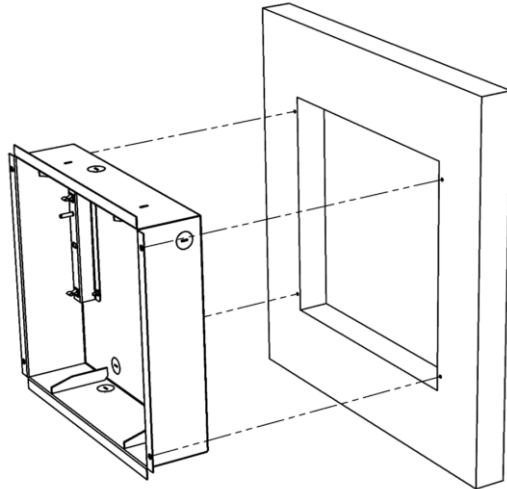


4. Assemble the tray with the camera by screwing the two nuts.

Screw the Mounting Box to the wall using countersink screws.
Make sure the Mounting Box is aligned respecting the horizontal view.

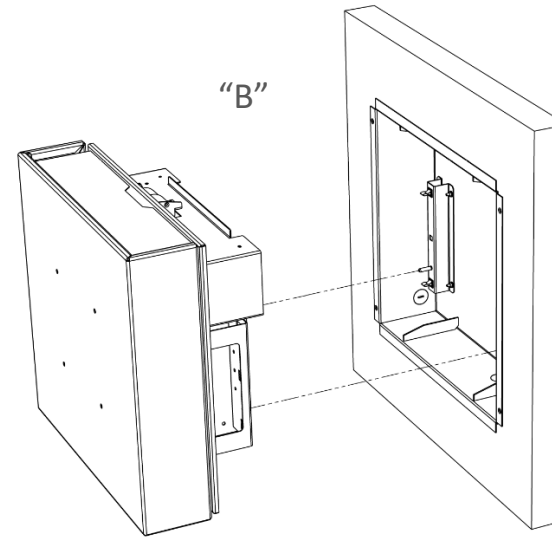
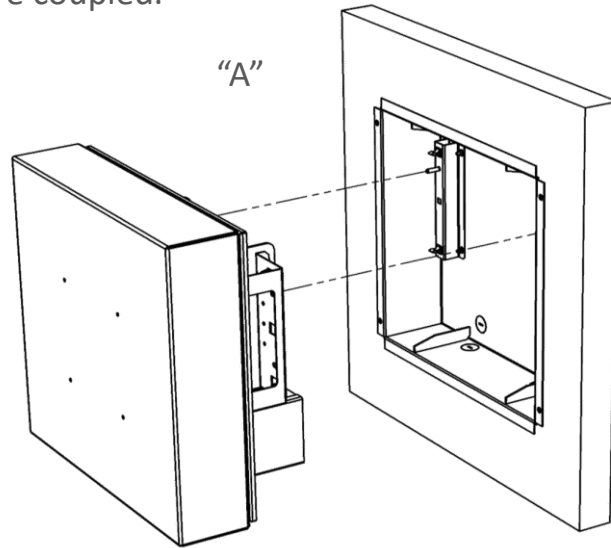
Depending on the DynamicVision ordered, the cover opens upwards or downwards.

- If DynamicVision opens upwards the MountingBox must be installed as in the picture "A" (see bracket position)
- If DynamicVision opens downwards the MountingBox must be installed as in the picture "B" (see bracket position)

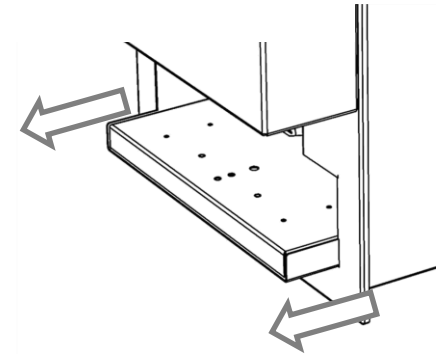


The MountingBox of the DynamicVision have some semi-die cut, break the needed one to pass the cables trough and connect the camera. The cable have enough loop inside the DynamicVision to allow the tray to do its movement.

2. Approach the DynamicVision to the Mounting Box in order to connect the cables. Subsequently, insert the device into the Box pressing it until the fastening clips are coupled.



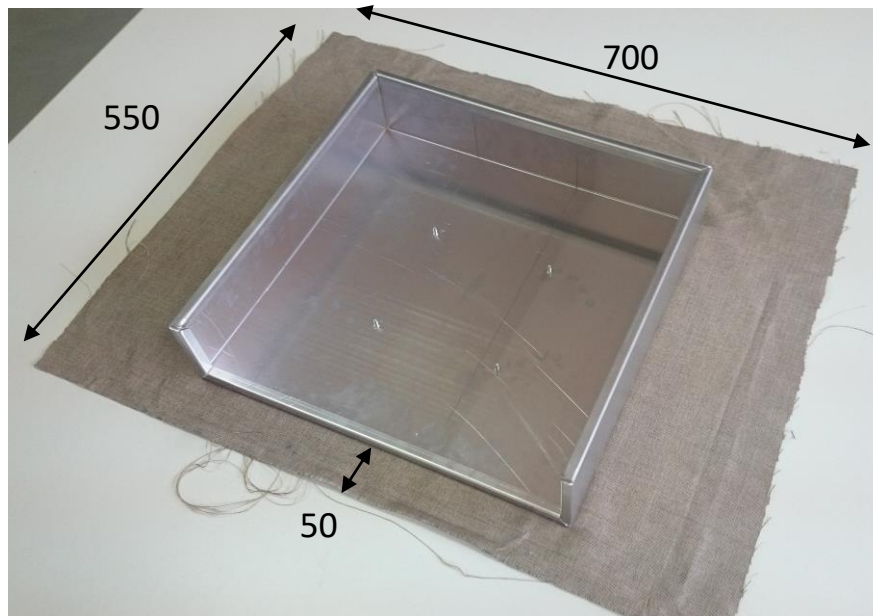
Attention: To extract DynamicVision of the Mounting Box avoiding to damage the door, it is necessary to pull the device holding it by the sides of the tray.



PREPARING THE FABRIC

Fabric thickness shouldn't be more than 0.3mm [0.01inch]. Otherwise, the tubes to hold the fabric should have a smaller diameter.

- Cut a 550x700mm [21.6x27.5inch] rectangular piece of fabric
- Following tubes are provided for the upholstery: 2x360mm [14.1inch], 2x340mm [13.4inch] and 2x70mm [2.75inch]
- Smooth out the piece of fabric on a flat and clean surface and place the DynamicVision front lid over it, ensuring that it's centered and leaving 50mm [1.97inch] on the lower side as shown.



Provided tubes



UPHOLSTERING

1. Push the fabric into the upper corner slots with the help of a card, make sure you pull it tightly so that it is perfectly framed.

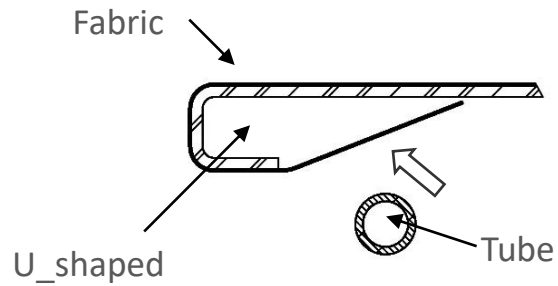


Pull the fabric tightly from the inside of the corners



UPHOLSTERING

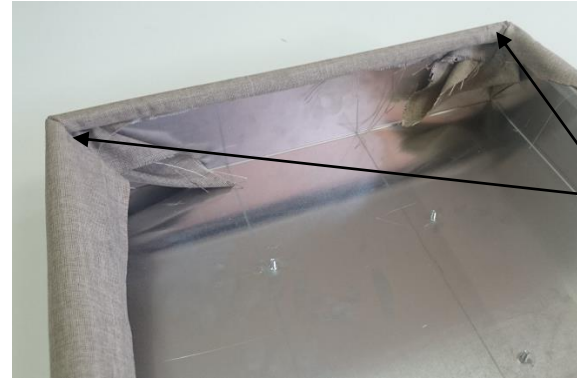
- The tubes are used to trap the fabric into the U_shaped section on the edges of the lid.



- Start upholstering the top side first using one of the 360mm tubes. Start by trapping the fabric in the middle and then keep pressing to the sides.



UPHOLSTERING



Pull the fabric from the inside of the corners

3. Next upholster the bottom side, folding the inner corners neatly. It's important to pull the fabric tightly before trapping it into the U_shape section.

Inner corners



4. Do the same with the laterals, this time using the 340mm [13.4inch] tubes. Make sure the fabric is well inserted in the inner corners. Remember to pull the fabric tightly before trapping the opposite lateral

UPHOLSTERING

5. Trappe the fabric in the smaller edges with the 2x 70mm [2.75inch] tube
6. You may trim an excess of fabric



Excess of fabric

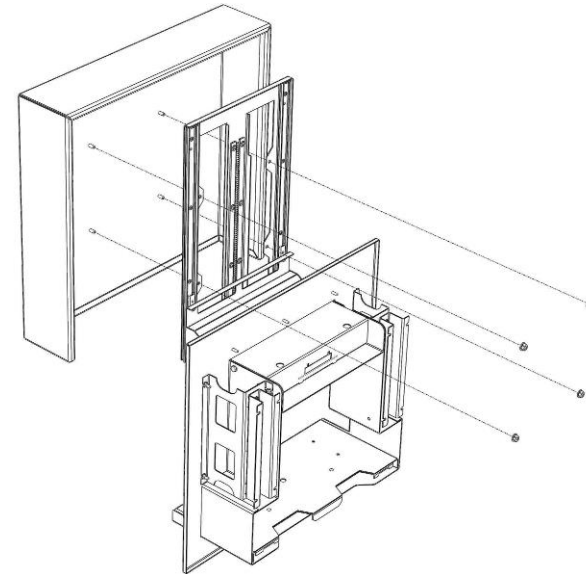
UPHOLSTERING

7. The lid is now ready to be assembled



ASSEMBLING THE LID

Use the M4 nuts provided to assemble the lid to the DynamicVision. Use a 7mm box spanner





ARTHUR HOLM

is a registered brand of

ALBIRAL DISPLAY SOLUTIONS, SL

Fátima 25 ,08512 St. Hipòlit de

Voltregà (Barcelona – Spain)

tel. +(34) 938 502 376

www.arthurholm.com