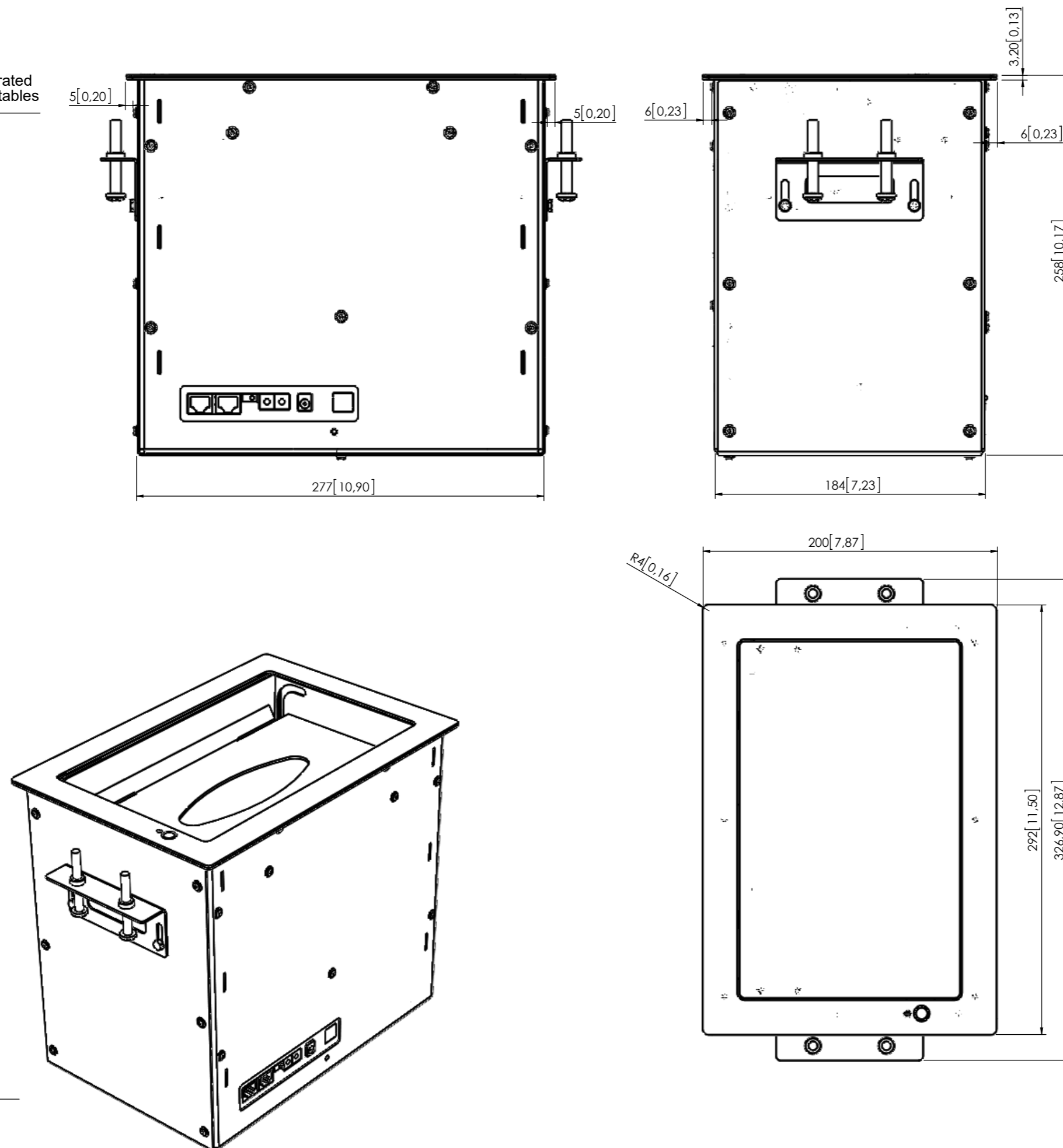
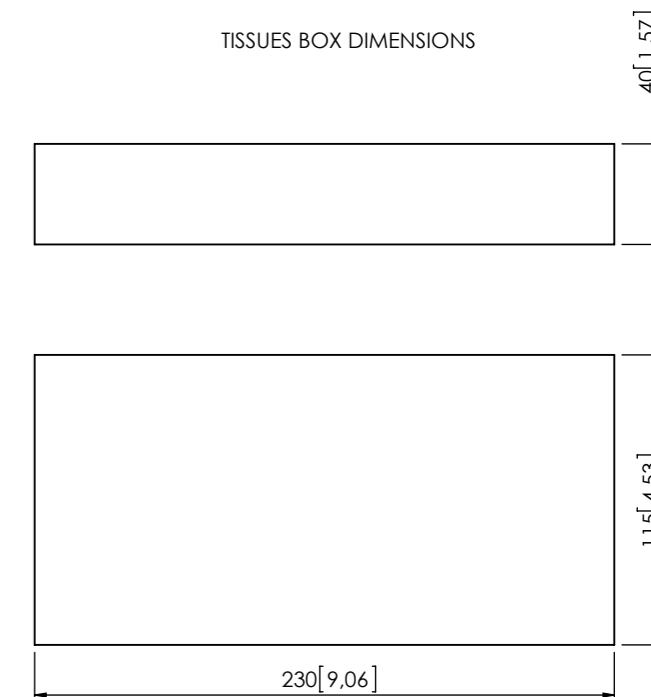


Automatic opening box, to be integrated into meeting and conference room tables

Ref. AHUCB TL v0.0 CCGBM



TISSUES BOX DIMENSIONS



GENERAL DIMENSIONS

Scale 1:2
Dimensions in millimeters [inches]
Revision: 3
Projection:
Structure: 0754GD000

ARTHUR HOLM

Albiral Display Solutions SL
Fàtima 25, Sant Hipòlit de Voltregà. 08512 Barcelona (SPAIN)
TEL: +34 93 850 23 76 / 23 83 FAX: +34 93 850 25 50
WEB: www.arthurholm.com EMAIL: marketing@albiral.com