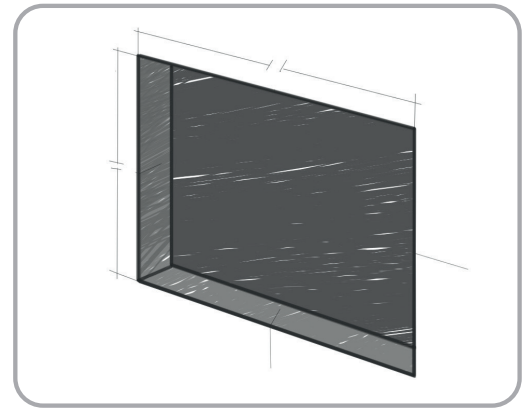


1.- First make a hole in the wall following the indications and dimensions in the pattern hole document.

Depending on the wall's material it may be necessary to use a different fastening.

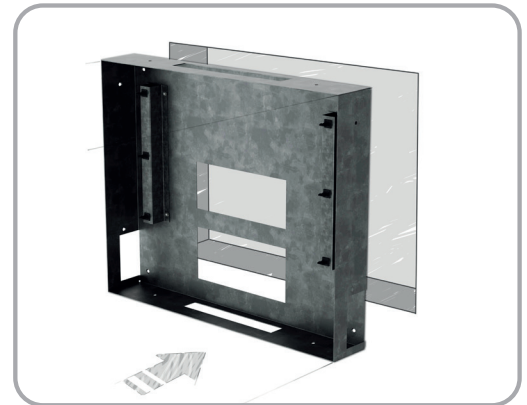


2.- Place the mounting box inside the hole with the edges flush to the wall and fix it with screws:

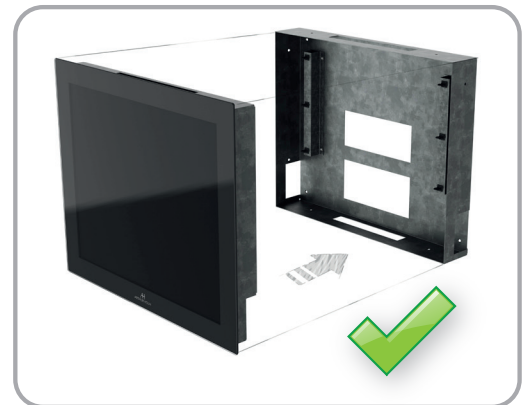
In lateral sides and/or up and down

In frontal holes, if the back of the mounting box is in contact with the wall.

Always use countersunk screws!



3.- Mount the monitor into the box. Press it until you hear the "click" of the latches of the monitor. This means it will stay in place.



4.- If you need to remove the device, carefully introduce fingers, or a plastic wedge between the wall and metal plate in the upper corners and pull gently. You should be able to move the latch to loosen the device from the mounting box.

