

!!!ATTENTION!!!

Do not rest Armrest monitor over front stainless steel edge when out of the box or armrest. This might bend the stainless steel plate.

ATTENTION: The Armrest Monitor can only be cleaned with water in form of a slightly humidified cloth.

ATTENTION: Hexagonal 4mm bit with 225mm extension is necessary for assembly.

ATTENTION: Steel template to be found in shipment is necessary for assembly.

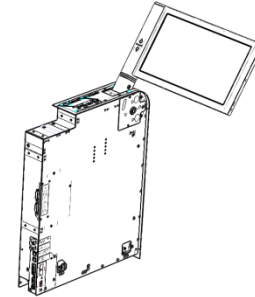


ARTHUR HOLM

INTRODUCTION

Armrest Monitor 15" is customized to be mounted in the left armrest of an armchair model of Figueras International Seating.

This guide shows how to make the described assembly.



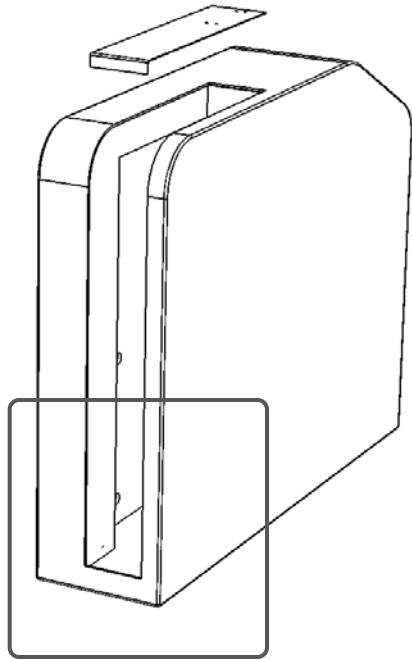
PATTERN HOLE

Mounting space for Armrest Monitor is the defined space of the armrest module of the Figueras International Seating Armchair

ATTENTION

Manipulation of the product should be avoided, no stress should be applied to the product except from the instructions given in this document. Cutting, drilling, soldering, adding of electrical and mechanical components can cause danger and should be avoided by all mean. Not complying with these direction will result in a lost of the Arthur Holm warranty. Albiral Display Solution S.L. shall not be held liable for any loss or injury incurred as a result of modifications made to goods by anyone other than the supplier or the supplier's authorised representative without the supplier's written permission. Such modifications shall be deemed to terminate any further guarantee obligations. Compensation will not be paid for wages, loss of profit, waste of time, packing and transport or any financial liability resulting from defects in the goods. (Albiral Display Solutions shall not be liable for any loss or injury caused by negligence.)

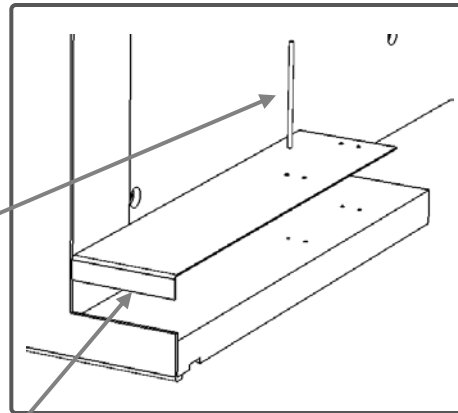
- Place the template firmly over the base of the armrest. The template must be centred and firmly pressed on to the front side of the armrest while drilling the 4 holes.
- The Fixation Assembly can be found pre mounted in the Armrest Monitor.



Make 4x holes using 3mm wood drill through holes of Template

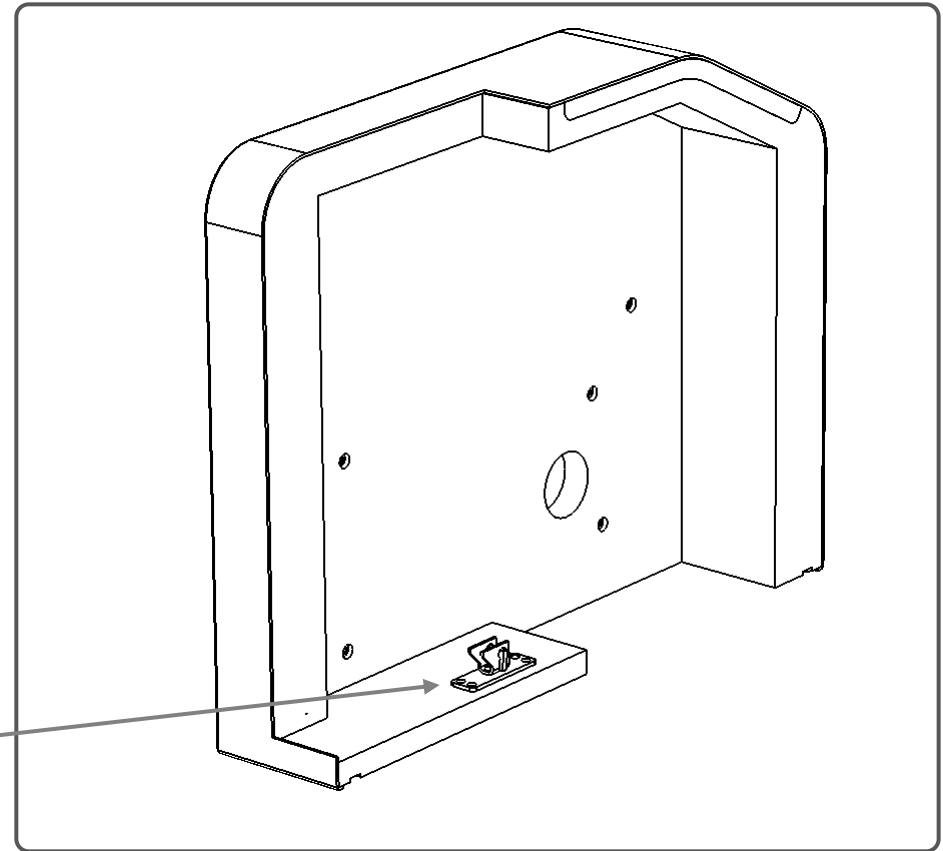
Hole Template

Front sectioned View of armrest

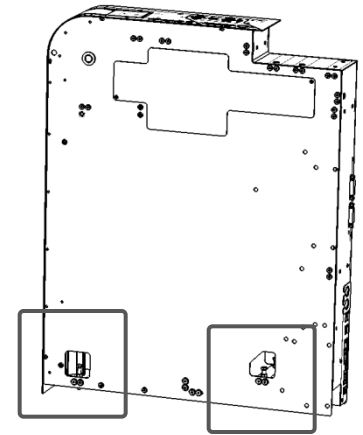
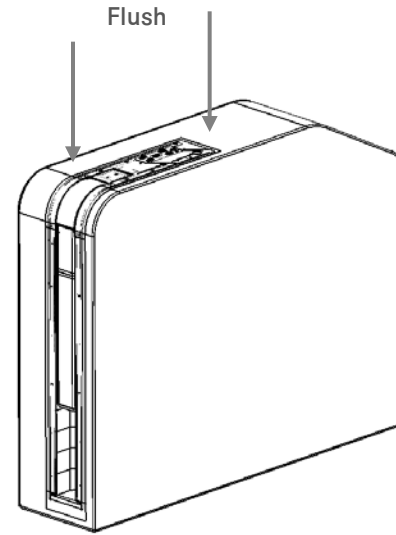


Mount Fixation Assembly with 4x wood screw d4.5x25mm using the drilled holes

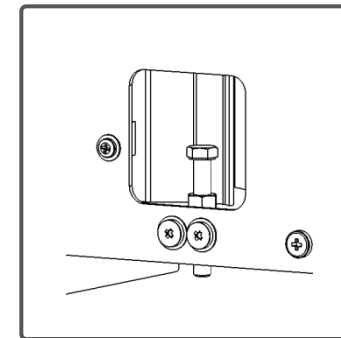
Sectioned view of armrest



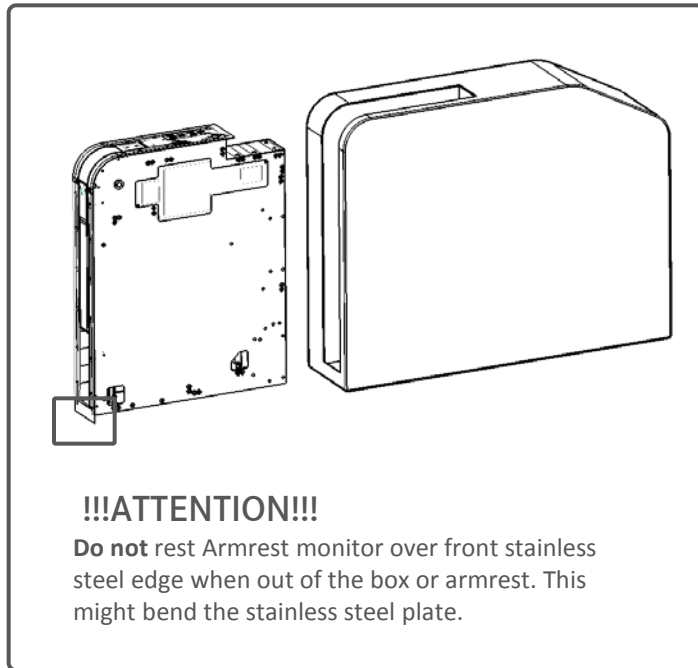
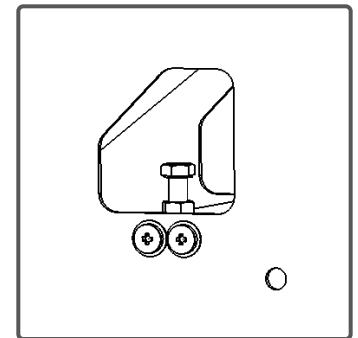
- Place the Armrest Monitor in the armrest and check the flush with armrest in the top surface.
- If alignment is needed, remove Armrest Monitor from armrest and adjust up or down using the x4 hexagonal adjusting screws situated in the corners.
- When alignment is correct tighten the x4 lock nuts on the adjusting screws.



Front

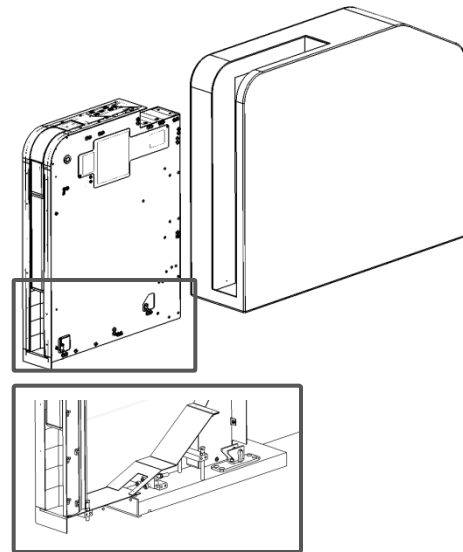


Back

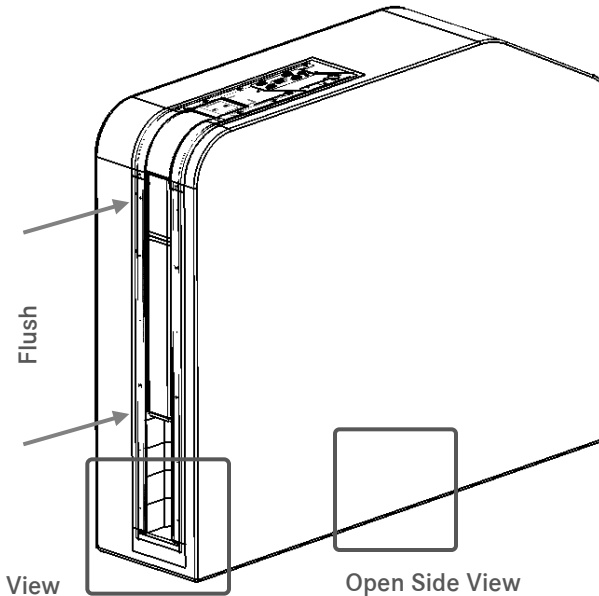


Side view of Armrest

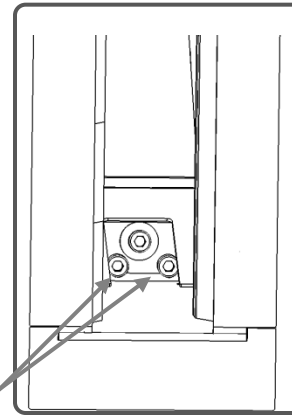
- Place the Armrest Monitor in the armrest.
- Turn x2 adjusting screws in or out till satisfactory flush has been achieved while Armrest Monitor is resting on adjusting screws.
- Remove Armrest Monitor from armrest and tighten the x4 Vertical Alignment Lock screws while Wedge is resting on adjusting screws.



Open Side View

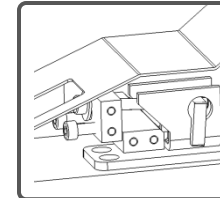


Front View

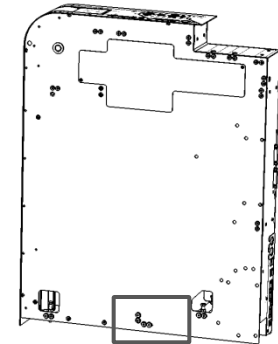
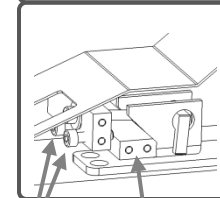


Adjusting screws

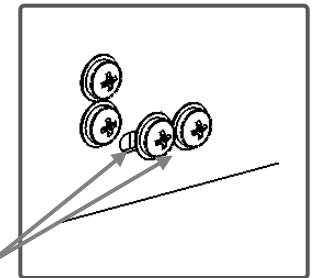
Open Side View



Adjusting screws Wedge

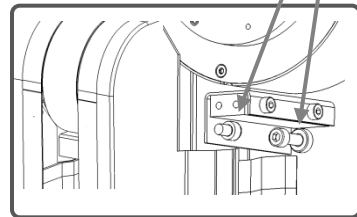
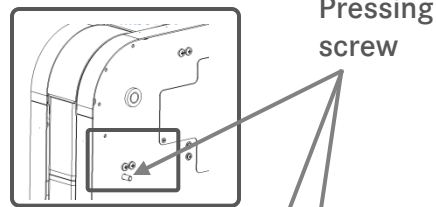
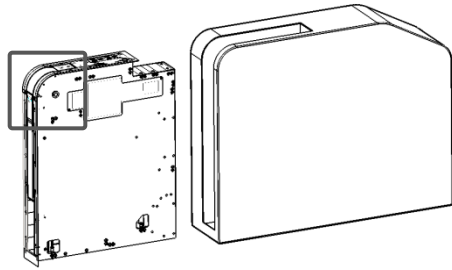


Vertical Alignment Lock Screws



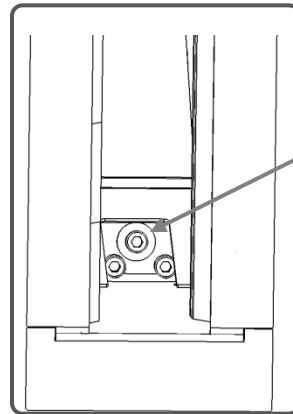
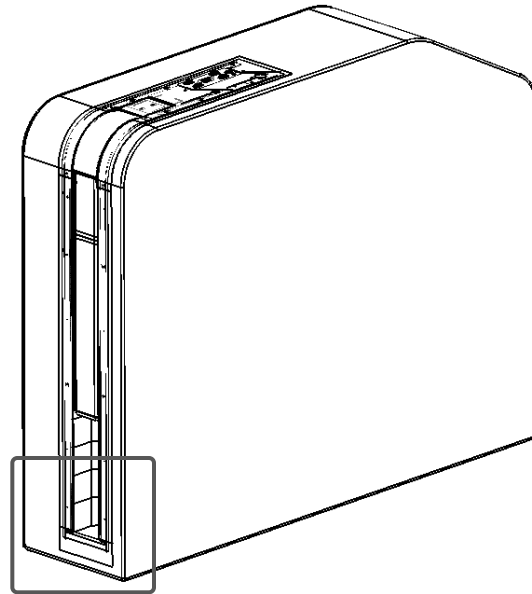
Side View

!!Attention!! Hexagonal 4mm bit with 225mm extension necessary



Open Side View

!!Attention!!
Hexagonal 4mm
bit with 225mm
extension
necessary



Front View

Mounting of Armrest Monitor

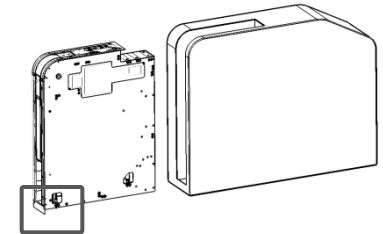
- Place Armrest Monitor in the armrest and tighten the Fixation Screw. Equipment will now position itself like adjusted in earlier steps.
- For lateral stability (if necessary) the x2 Pressing Screws can be tightened slightly outwards. Screen needs to be extracted to do this (monitor needs to be connected).

Removal of Armrest Monitor

- Pressing Screws must be loosened in order to permit removal. Monitor needs to be extracted to do this.
- Loosen Fixation Screw.
- Remove Armrest Monitor.

!!!ATTENTION!!!

Do not rest Armrest monitor over front stainless steel edge when out of the box or armrest. This might bend the stainless steel plate.





ARTHUR HOLM

is a registered brand of

ALBIRAL DISPLAY SOLUTIONS, SL

Fátima 25 ,08512 St. Hipòlit de

Voltregà (Barcelona – Spain)

tel. +(34) 938 502 376

www.arthurholm.com