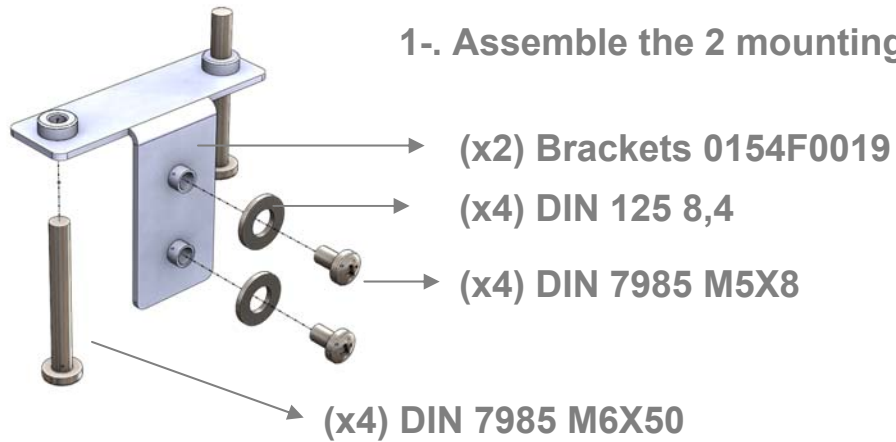
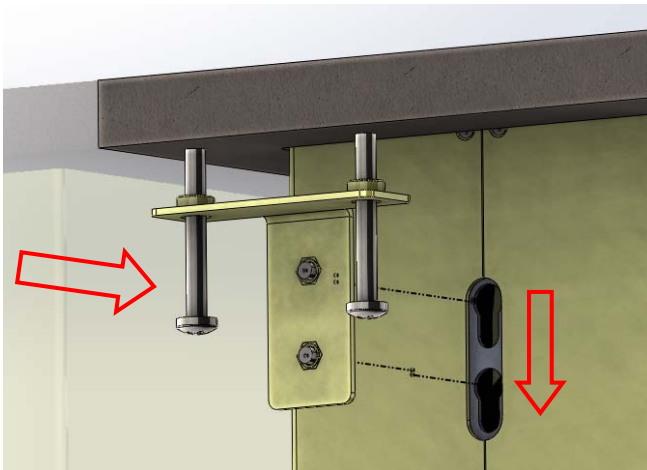


1-. Assemble the 2 mounting bracket



2-. With the DynamicTalk inserted into the table attached the brackets in each side



3-. Tighten the four M6x50 screws until they touch the table and DynamicTalk is fixed

