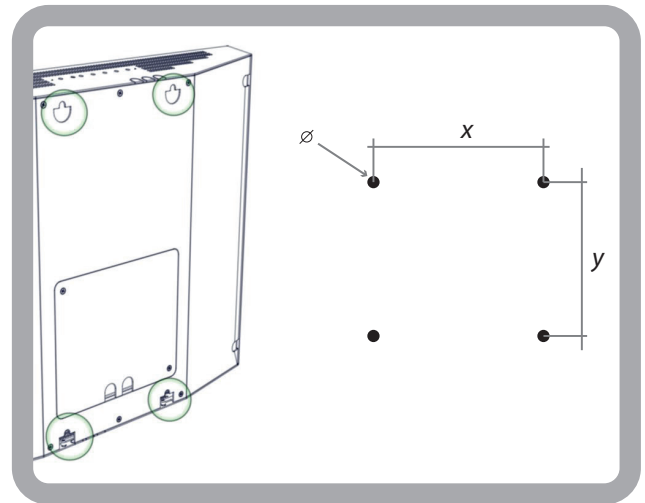
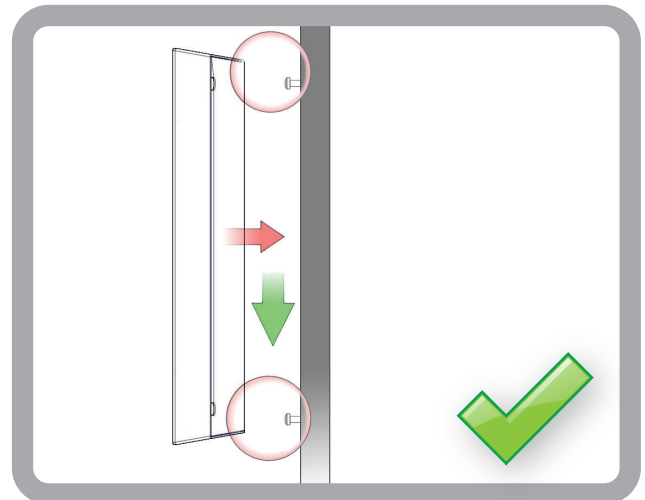


1.- The first step is to mark the 4 points required to fix the x4 screws.
Please note that an alternative fastening may be required depending on the wall's material.

Drill the holes and place the screws according to the hole diameter as described in the General Dimensions document.



2.- To hang the monitor, place onto the wall and align it with the screws, making sure the monitor fits onto them, then slide it carefully down.



3.- To make the connections the central cover must first be removed (as shown). Next the cables can be passed through the openings on the cover (or by removing the punch out holes, and passing them through there).

Then the screws underneath the monitor can be tightened to keep the monitor securely in place on the wall.

