

## DynamicMCS

High-resolution, motorized video camera, microphone and loud speaker in one

AHDMCS C   AHDMCS C/CP   AHDMCS CA   AHDMCS CA/CP



Now you see me,  
Now you don't!



### Highlights

- Motorized pop-up video camera, microphone and loudspeaker for furniture integration
- Manual rotation 45° left and right
- Stainless steel cover top
- Camera: HD-SDI BNC out
- Microphone: Analogue line output-terminal blocks connectors
- Active speaker: Analogue line input-terminal blocks connectors
- 2 colour controllable LED ring
- Up and Down capacitive button
- Serial control and remote diagnose (AHNet)
- Wireless connectivity for setup and control (AHlink)
- Auto Mechanical Movement Calibration (AH-AMMC)

### General

Motorized high-resolution video camera, microphone and loudspeaker for furniture integration, HD-SDI camera. Omnidirectional microphone with 1 audio output: balanced analogue line level via terminal block line (no phantom required). The hybrid camera housing is built in steel and composite materials in a black, non-reflective mat finish.

A capacitive touch button in the steel cover raises and lowers the camera, microphone and loud speaker. The camera can be turned 45° horizontally to each side (manually). DynamicMCS can also be remotely controlled via AHNet (RS-422), GPI or AHlink.

### Product Code

- |                |  |
|----------------|--|
| • AHDMCS C     | Camera, no audio                             |
| • AHDMCS C/CP  | Camera, cover plate w/buttons only, no audio |
| • AHDMCS CA C  | Camera and audio                             |
| • AHDMCS CA/CP | Camera, audio and cover plate w/buttons      |

## TECHNICAL SPECIFICATIONS

### Camera:

- HD-SDI, BNC Output.
- Pickup Device 1/2.8(D-6.46mm.) 2MP Sony Color CMOS Sensor
- Scanning System 16:9 Progressive
- Sync. System Internal
- Total Pixels 2.16MP [1945(H)x1109(V)]
- Active Pixels 2.12MP [1937(H)x1097(V)]
- Min. Illumination 0.01Lux(F2.5-30IRE), 0.0003Lux(DSS on)
- Video Out HD-SDI: 1080p@25/30, 720p@25/30/50/60
- Lens Fixed f=4mm., F2.5
- Angle of View 92.5°(D), 78°(H), 44.5°(V)
- OSD - VIA AHlink

### Microphone:

- Built-in preamplifier with DSP process. Balanced line output (terminal block)
- Sensitivity : 1KHz, 94dB SPL = 1,4dBV
- Acoustic Overload Point : 124 dB SPL

### Speakers:

- 2 x 1,6" x 2,4" speaker
- Class-D Built-in 18W. Amplifier
- DSP process
- Balanced line input, level line +0dB (terminal block)

### Control:

- Up/Down - Touch Button:
- Up/Down - GPI
- Full control - RS422 (AHnet)
- **AHlink** APP, for diagnosis and configuration
- LED indicator for camera & microphone status

### OPTIONS:

- Optical Microphone (Mute) & Camera (OFF) buttons, Control Panel with LED

### Electrical:

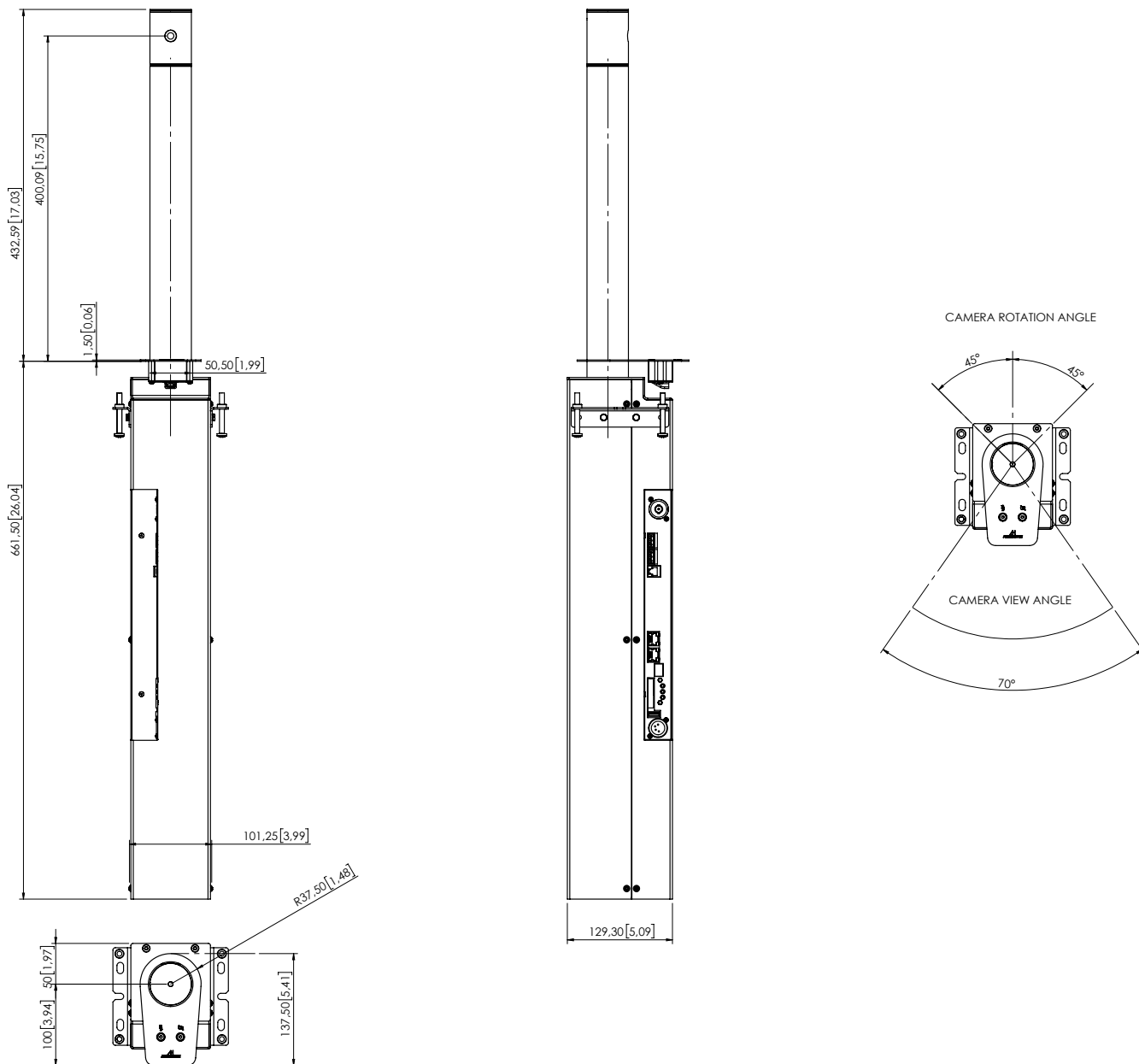
- External PSU 100-240Vac, 47/63Hz, to 12V 6,25A
- Power consumption 35W

## Warranty

- 2 years general warranty

## Certifications

- CE



ARTHUR HOLM

Albiral Display Solutions SL · Fàtima, 25 Sant Hipòlit de Voltregà 08512 Barcelona, Spain · +34 938 502 376 · marketing@arthurholm.com · www.arthurholm.com  
 Arthur Holm is a registered brand of Albiral Display Solutions SL. Specifications subject to change without previous notice.

Technology serving Design