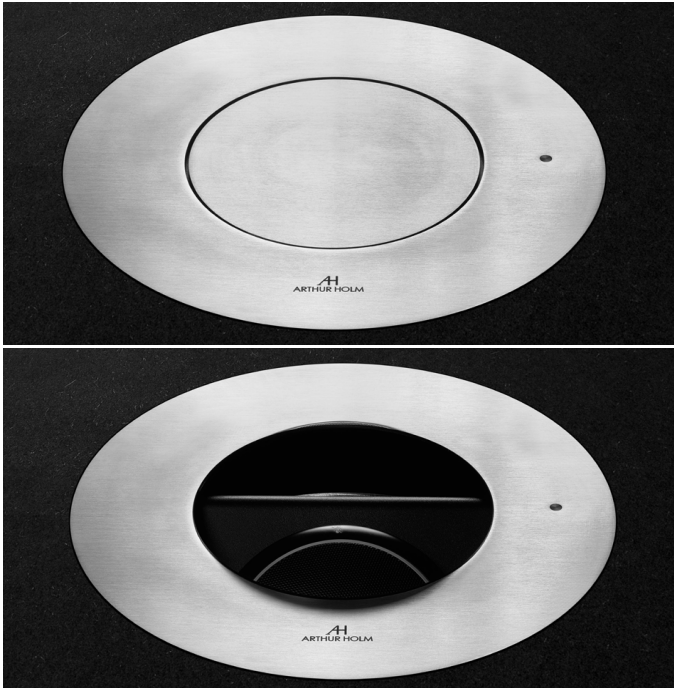


# DynamicTalkB

Motorized microphone lift system for boundary table top microphones



## Highlights

- Motorized lift for boundary table top microphones
- Compact, space optimising and stylish solution
- Touch sensor on cover plate
- Wireless connectivity for setup and control

## General

Motorized microphone lift for boundary table top microphones and similar, controllable through AHnet or directly on the device using the flush mounted touch control sensor.

The Arthur Holm DynamicTalkB microphone lift is designed to hide boundary table top microphones when not in use with a smooth, elegant and silent movement.

The housing is made out of steel and the upper cover plate is made in stainless steel.

Integrated wireless set-up and diagnosis.

## Technical Specifications

### Engine

Housing	Brushed stainless steel or black matt finish
	Button on upper cover plate

### Connectivity

USB port for firmware update
RJ45 CAT6 - Addressable RS422 Protocol AHnet

### Engine

Control Up/Down
AHnet commands

### Electrical

External power supply	100-240 Vac
Power consumption	30W

### Mechanical

<b>Case Dimensions:</b>	
Upper cover plate	Ø 264 x 3 mm [10.39" x 0.11"]
Housing below the table	Ø 251 x 214,50 mm [9.88" x 8.44"]
Weight	8 Kg / 17.63Lbs
<b>Shipping Dimensions:</b>	
Weight	8.5 Kg/ 18.73 Lbs
Shipping Box	365 x 365 x 370 mm [14.37" x 14.37" x 14.57"]

#### ARTHUR HOLM

Albiral Display Solutions SL · Fàtima, 25 Sant Hipòlit de Voltregà 08512 Barcelona, Spain · +34 938 502 376 · marketing@arthurholm.com · www.arthurholm.com  
Arthur Holm is a registered brand of Albiral Display Solutions SL. Specifications subject to change without previous notice.

Technology serving Design

## Finishes

- Underneath installation
- Painted

## Warranty

- 2 years general warranty

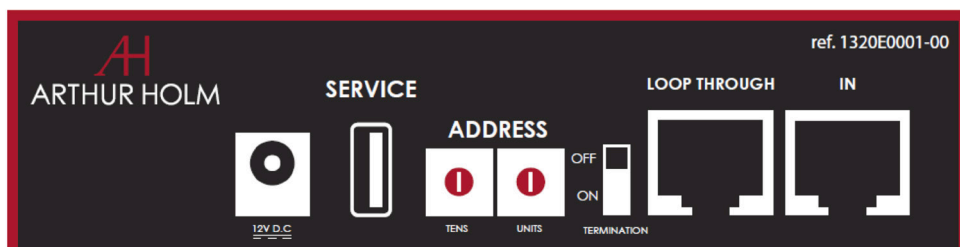
## Certifications

- CE
- FCC

## Consultants, architects and engineers specifications

The motorized lift system shall lift and retract boundary table top microphones. The cover plate shall be made of stainless steel. The device shall be activated by a flush mounted control capacitive sensor or via AHnet. The unit shall be compatible with a wireless app that allows its setup and control.

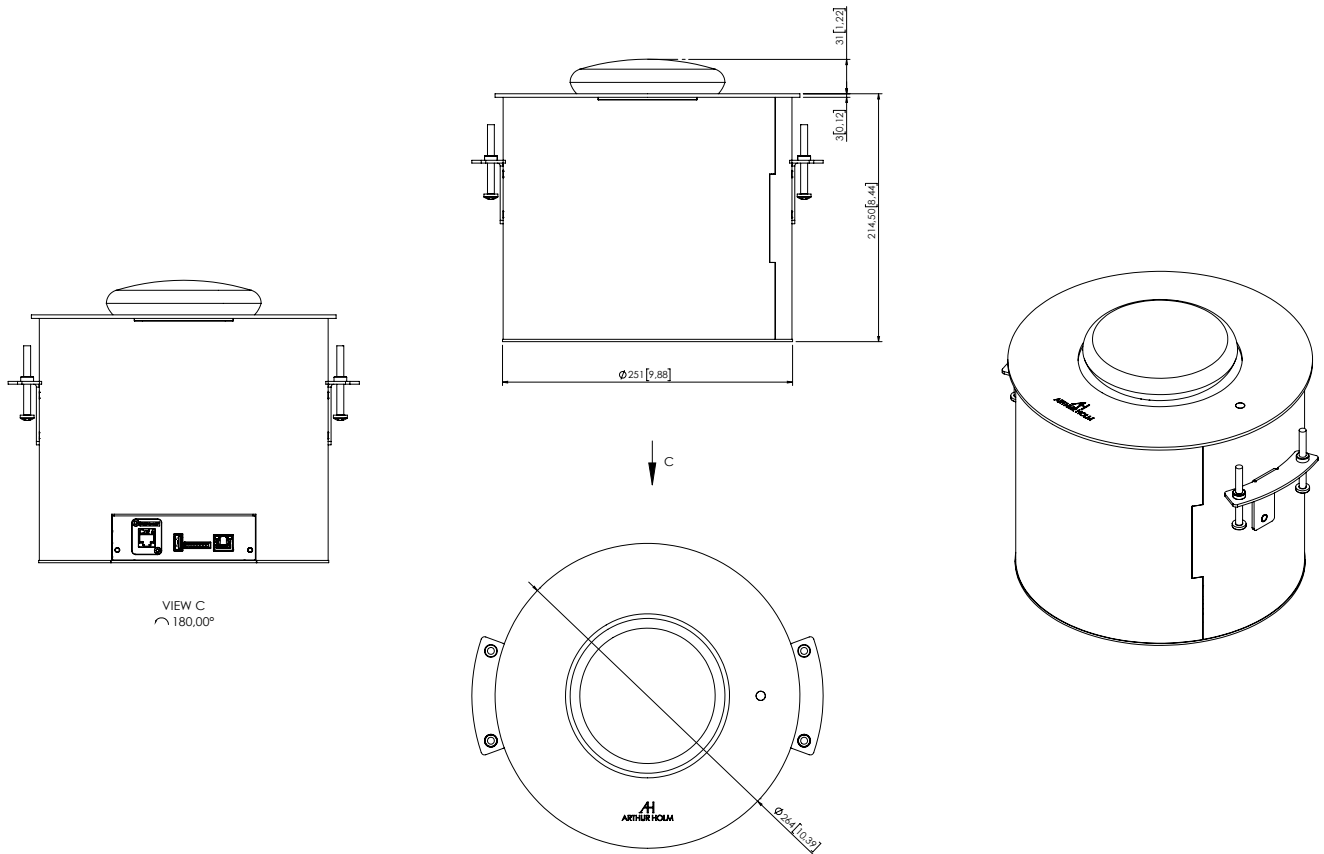
## Connectivity Panel



### ARTHUR HOLM

Albiral Display Solutions SL · Fàtima, 25 Sant Hipòlit de Voltregà 08512 Barcelona, Spain · +34 938 502 376 · marketing@arthurholm.com · www.arthurholm.com  
 Arthur Holm is a registered brand of Albiral Display Solutions SL. Specifications subject to change without previous notice.

Technology serving Design



ARTHUR HOLM

Albiral Display Solutions SL · Fàtima, 25 Sant Hipòlit de Voltregà 08512 Barcelona, Spain · +34 938 502 376 · marketing@arthurholm.com · www.arthurholm.com  
Arthur Holm is a registered brand of Albiral Display Solutions SL. Specifications subject to change without previous notice.

Technology serving Design