

## MicConnect

Passive microphone surface mount for gooseneck microphones

---



### FEATURES

- Stainless steel surface mount
- Push button and LED controlled by third party conference systems
- No power required
- XLR 3 pin connection
- Easy to install
- Maintenance free

### GENERAL

Arthur Holm's MicConnect is a static surface mount for XLR microphones with integrated shock mount, push to talk button and microphone status LED. The microphone is very easy to connect and disconnect. A special tool (included with the product) is necessary to remove the microphone. When there is no microphone connected the XLR connector is covered by a lid integrated in the system.

MicConnect is made of stainless steel and standard and customised finishes are also available.

---

#### ARTHUR HOLM

Albiral Display Solutions SL · Fàtima, 25 Sant Hipòlit de Voltregà 08512 Barcelona, Spain · +34 938 502 376 · marketing@arthurholm.com · www.arthurholm.com  
Arthur Holm is a registered brand of Albiral Display Solutions SL. Specifications subject to change without previous notice.

Technology serving Design

**Materials**

Cover plate	Stainless steel, matte or prepared for underneath installation (to be veneered or for table hedge)
-------------	--

**Functionality**

Push to talk button, push the button to lift the lid
Microphone installed, push the button to activate/deactivate the system
Main control depends on the audio unit

**LED's**

Green and red LED is activated from the main audio unit. (5Vdc Voltage)
---

**Connections**

Microphone	Input XLR3 pin standard microphone connector below the lid with integrated shock mount
	Output: 3 pin terminal block, located on the lower part of the MicConnect

Control	6 pin terminal block, located on the
	Contact close push button
	5 Vdc Led power indicators

**Mechanical**

Case Dimensions:	
Dimensions	92 x 92 x 100 mm [3.62" x 3.62" x 3.93"]
Installation	Mounting surface thickness: from 16mm [0.63"] to 65mm [2.56"]
Weight	1 Kg / 2.2 Lbs
Shipping Dimensions:	
Weight	1.5 Kg / 3.3 Lbs
Shipping Box	250 x 250 x 120 mm [9.84" x 9.84" x 4.72"]

**OPTIONS**

- Matte cover plate
- Painted

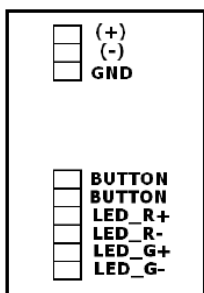
**CERTIFICATIONS**

- CE
- FCC

**WARRANTY**

- 2 years general warranty

**CONNECTIVITY PANEL**

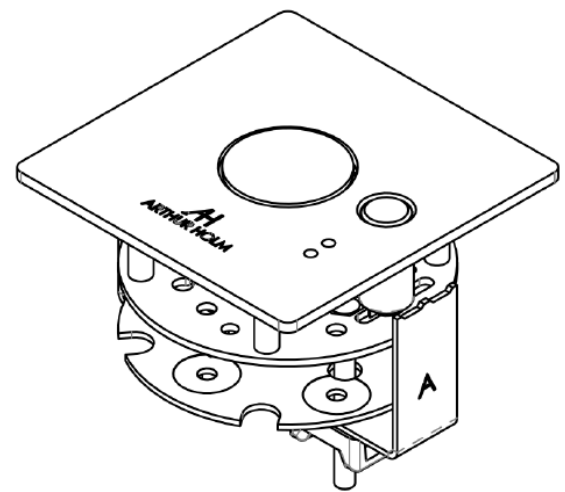
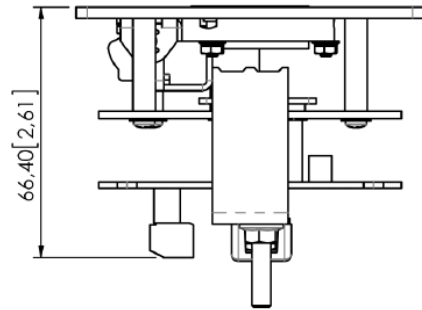
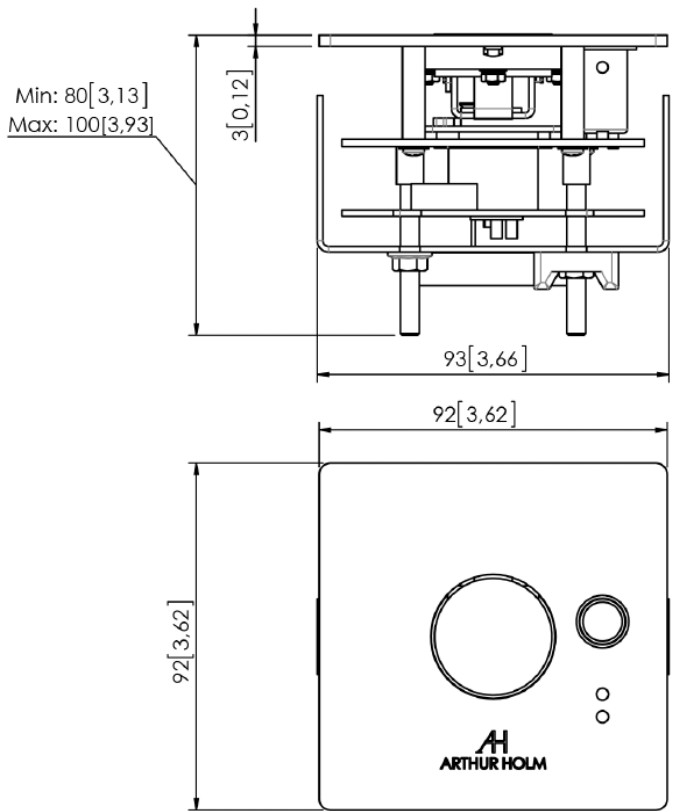


**CONNECTIVITY**

Button - Contact close of the cover plate push button  
 LED\_R+/LED\_R- - Apply 5VDC to activate LED2 on cover plate  
 LED\_G+/LED\_G- - Apply 5VDC to activate LED1 on cover plate

**CONSULTANTS, ARCHITECTS AND ENGINEERS SPECIFICATIONS**

The passive microphone surface mount shall provide a 3 Pin XLR connector. The cover plate shall be made of stainless steel, it shall include a shock absorbing support, push to talk button and 2 LED. The device shall provide an easy removal and installation of the microphone without any visible locking system.



ARTHUR HOLM

Albiral Display Solutions SL · Fàtima, 25 Sant Hipòlit de Voltregà 08512 Barcelona, Spain · +34 938 502 376 · marketing@arthurholm.com · www.arthurholm.com  
 Arthur Holm is a registered brand of Albiral Display Solutions SL. Specifications subject to change without previous notice.

Technology serving Design